



**CRACK-VAC
WITH COMPRESSOR
MODEL 150D**

PART MANUAL - 26449

REV. D

Updated: 07/2019

CRACK VAC WITH COMPRESSOR MODEL 150D

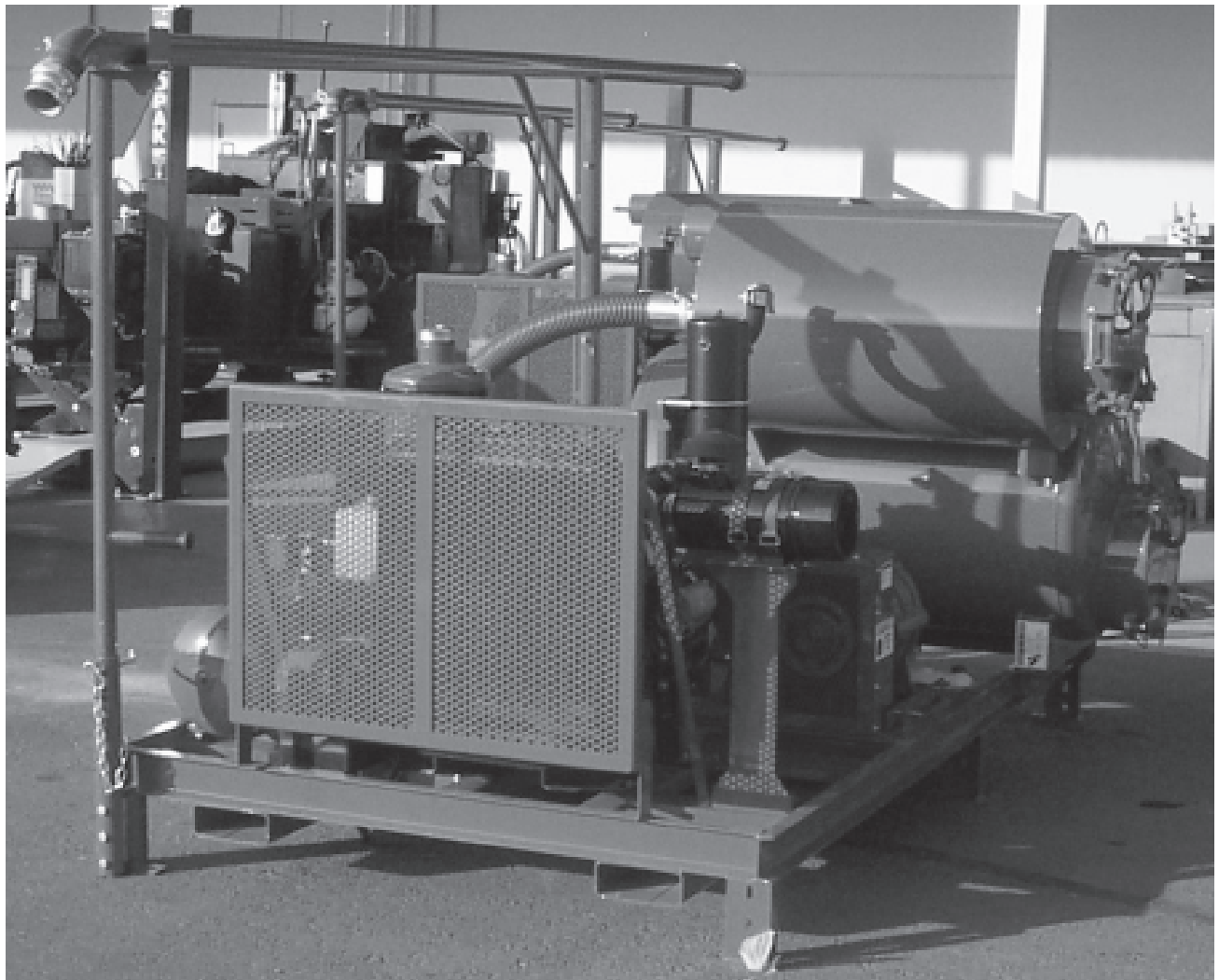


TABLE OF CONTENTS

Crack Vac with Compressor Model 150D.....	5
Safety Precautions.....	6
Limited Warranty.....	7
Warranty Claim Instructions.....	8
Contact Us.....	9
Specifications.....	10
Operating Instructions	
Introduction.....	11
Machine Start Up.....	12
Engine Start-Up Panel and Throttle.....	13
Debris Cleanout and Filter Removal.....	14
Diesel Fuel and Hydraulic Fill Location.....	15
Unloading Storage Holding Tank.....	16
Shutdown and Clean-out Procedure.....	16
Storing Machine.....	17
Maintenance	
Maintenance Instructions.....	18
Maintenance Chart.....	19
Service Instructions.....	19
General Maintenance Items.....	20
Recommended Fluids and Lubricants.....	20
Parts	
Crack-Vac Assembly- P/N -60400 Diagram and Parts.....	22-23
Wand Assy P/N -60880N -Diagram and Parts.....	24-25
Electric Schematic-Vac Assy- P/N -60140 Diagram.....	26

CRACK-VAC WITH COMPRESSOR MODEL 150D

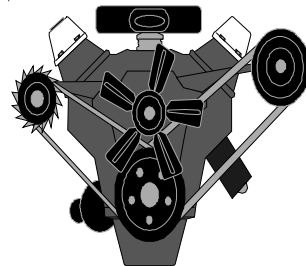
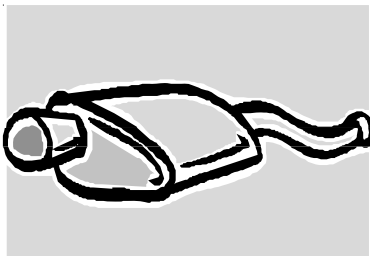
This manual is furnished with each new **CRAFCO CRACK-VAC WITH COMPRESSOR MODEL 150D**. The manual will help your machine operators learn to run the melter properly and understand its mechanical functions for trouble-free operation.

Your **CRAFCO CRACK-VAC WITH COMPRESS MODEL 150D** is designed to give excellent service and save maintenance expense. However, as with all specifically engineered equipment, you can get best results at minimum costs if:

- (1) You operate your machine as instructed in this manual, and
- (2) Maintain your machine regularly as stated in this manual.



WARNING: The engine exhaust from this product contains chemicals known to the State of California to cause cancer, birth defects or other reproductive harm. Operate in well ventilated area only. Engine exhaust is deadly.



SAFETY PRECAUTIONS

- High operating temperatures of engine and machine require protective clothing, hard soled shoes, and heat resistant gloves be worn by operator.



- Always wear eye protection.
- Observe all **CAUTION AND WARNING** signs posted on machine.

- Avoid the entrance of water into any part of the machine.
- Read Operator Manual thoroughly before operating machine.
- Make sure operator is familiar with machine operation.
- Do not operate in closed building or confined areas.



- Shut-down engine prior to refilling diesel tank.
- Keep hands, feet, and clothing away from all moving parts.
- Replace any hoses or belts which show signs of wear, fraying, or splitting. Assure all fittings and joints are tight and leakproof.
- **Precaution is the best insurance against accidents.**
- **Tighten all bolts and screws after every 100 hours of operation.**
- CRAFCO, Inc assumes no liability for an accident or injury incurred through improper use of the machine.
- Refer to the Rotary Air Blower for operating procedures and safety precautions.
- The “Chamber-Absorption Silencer” will be hot to the touch. Do not touch hot surface.
- Avoid extended exposure in close proximity to machinery with high intensity noise levels. Noise level may require ear protection. Do not operate equipment without adequate silencing devices since high noise level may cause hearing damage.
- Do not operate without guards in place. Before performing any repairs, disconnect the battery.
- Blower heat can cause burns if touched. Blower casing and associated piping or accessories may become hot enough to cause major skin burns on contact.
- Do not start the blower until you are sure oil has been put in the gear housing.

LIMITED WARRANTY

Crafco, Inc., through Crafco or one of its affiliated distributor, will replace for the original purchaser free of charge any parts found upon examination by the factory at Chandler, Arizona, to be defective in material or workmanship. This warranty is for a period one year from in-service date, but excludes engine or components, tires, and battery as these items are subject to warranties issued by their manufacturers.

Crafco, Inc. shall not be liable for parts that have been damaged by accident, alteration, abuse, improper lubrication/maintenance, normal wear, or other cause beyond our control.

The warranty provided herein extends only to the repair and/or replacement of those components on the equipment covered above and does not cover labor costs. The warranty does not extend to incidental or consequential damages incurred as a result of any defect covered by this warranty.

All transportation and labor costs incurred by the purchaser in submitting or repairing covered components must be borne by the purchaser. Crafco, Inc. specifically disavows any other representation, warranty, or liability related to the condition or use of the product.



WARNING: Use of replacement parts other than genuine Crafco parts may impair the safety or reliability of your equipment and nullifies any warranty.

WARRANTY CLAIM INSTRUCTIONS

Crafco, Inc., warrants parts and machinery purchased through Crafco or one of its affiliated distributors for one year from purchased or in-service date **. If parts fail to function within the first year of purchase, a return authorization number (RA) must be obtained. If the part was purchased through Crafco, Inc., please contact the Crafco returns department at Returns@Crafco.com for a RA number or if purchased through a Crafco distributor please contact your distributor. Note: if the part has a serial number associated with it, for example; a machine or electric hose or wand, this must be furnished when requesting the RA number. The customer will be emailed or faxed a RA form with all instructions to return the item to Crafco, Inc. See example. If the part is found to be within the one year warranty period and has not been abused or modified, a credit will be issued to the customer's account or credit card. The customer may request the part be replaced instead of a credit, if desired.

** Wear items are not covered under Crafco, Inc. limited warranty. A wear item is defined as but not limited to: material pumps, sealing tips, tires, etc.

Note: All engine warranties are covered through the engine manufacture. If you need information for a distributor in your area please contact us and we will direct you to the closest engine distributor.

**** All parts returned are tested and evaluated. If the part has been modified in anyway without prior consent from Crafco, Inc. representative, warranty is void.

Please follow the instructions stated below when calling in a Warranty Claim. Failure to follow these procedures may be cause to void the warranty.

1. Call your local Crafco Distributor. If you do not know who your local distributor is, call a Crafco Customer Service Representative, (Toll Free 1-800-528-8242) for name, location, and telephone number.
2. On contacting the distributor, be prepared to identify the serial number, model number, engine model, engine manufacturer, and the date of purchase if available.
3. Should the cause of the malfunction be a defective part, the Distributor will advise you of the procedure to follow for a replacement.
4. The warranty is valid only for parts, which have been supplied or recommended by Crafco, Inc.

If you have any additional questions regarding warranty repairs and parts, please do not hesitate to call toll free 1-800-528-8242.

CONTACT US

For Warranty:

Crafco, Inc.

25527 South Arizona Avenue, Chandler, AZ 85248

Phone: (480) 655-8333 or (800) 528-8242

Fax: (480) 655-1712

For all other inquiries:

Crafco, Inc.

6165 West Detroit Street, Chandler, AZ 85226

Phone: (602) 276-0406 or (800) 528-8242

Fax: (480) 961-0513

CustomerService@crafco.com

SPECIFICATIONS

Holding Tank Capacity.....	150 Gallons Maximum
Tank Consturction.....	Heavy Duty Steel
Tank Opening Size.....	16" Full Opening
Engine-Kubota V2403 Turbo.....	4 cylinder-2.434 liter disp. 59HP (44kw) @ 2700 rpm
Dry Weight.....	Approximately 3080 lbs
Filter- Pleated Pun Bonded Polyester Filter Element.....	10 Micron Filtration
Fuel Tank Capacity (diesel).....	23 gal (87 liter)
Hydraulic Tank Capacity.....	1.5 Qt (1.42 liter)
Hydraulic Pump.....	DC Hydraulic Power System 12 volts pump/motor/reservoir Check Valve 4-way/3 position solenoid valve. Externally adjustable relief valve.
Air Compressor.....	Atlas Copco Model LE7
Blower.....	Positive displacement rotary air blower.
Blower Discharge Silencer.....	A multi-chamber containing a high frequency absorption device to reduce excessive noise energy.
LG 16" Pressure Manhole Access Door.....	14 psi max working pressure. Safety catch. Pull opening. 4 quick opening adjustable cam levers.

CRACK-VAC WITH COMPRESSOR MODEL 150D OPERATING INSTRUCTIONS

INTRODUCTION

Air quality, workers' safety, and the safety of the motoring public are most important in today's road maintenance operations. The CRAFCO CRACK-VAC WITH COMPRESSOR was designed to thoroughly clean pavement cracks while maintaining a dust free environment. With a filter system that contains particulate matter down to 10 microns, The Crack-Vac with Compressor complies with the strict PM 10 air quality standards in effect today. This new concept in crack sealing preparation limits worker exposure to dust and improves visibility problems that dust can cause for motoring traffic. The Crack-Vac with Compressor is the future of crack cleaning operations.

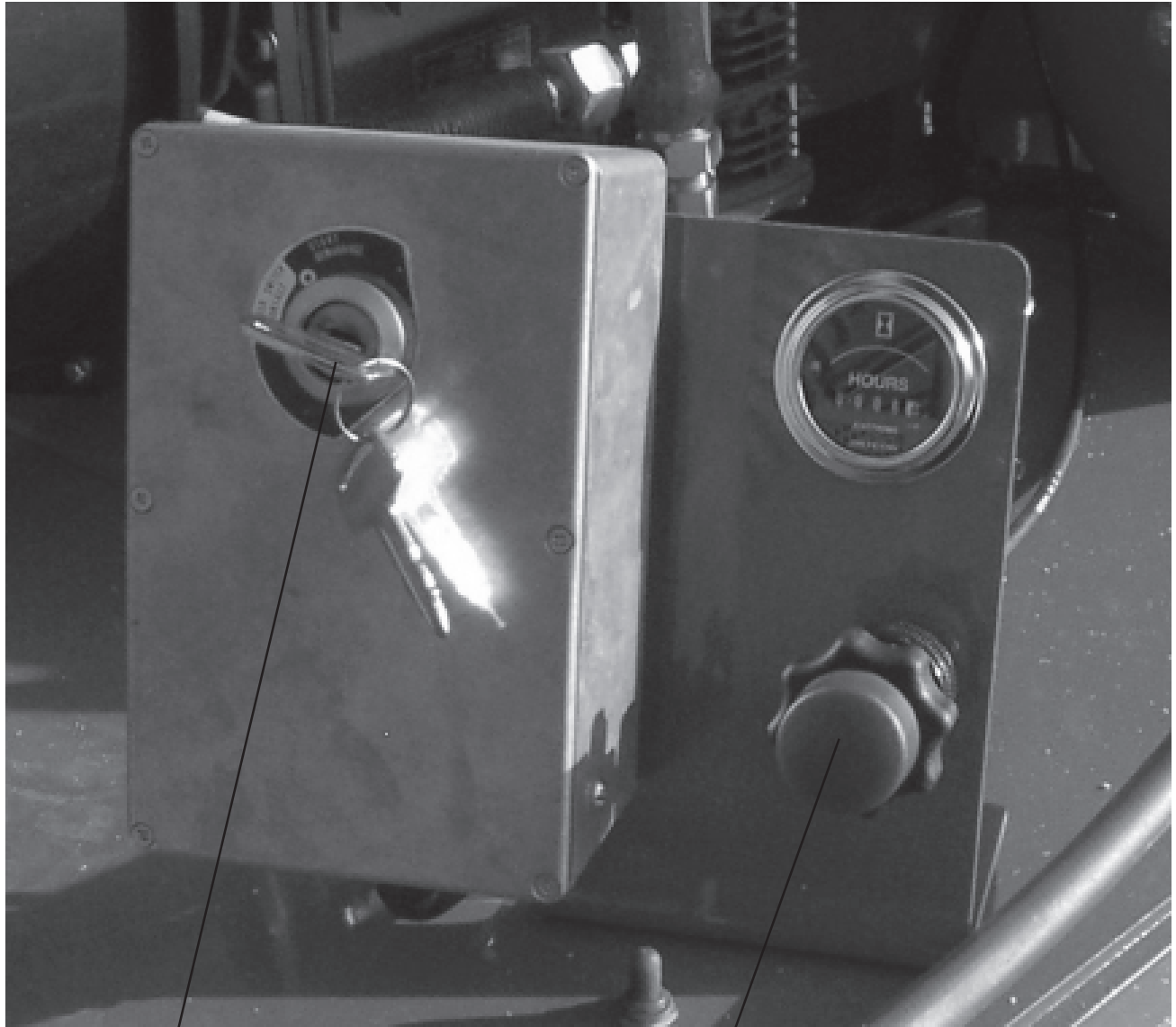
DO NOT operate machine without following these instructions:

1. Fill the fuel tank with diesel fuel.
2. Check engine crankcase oil level (refer to Engine Operator's Manual).
3. Check hydraulic fluid level in the hydraulic reservoir at 70°F. Add fluid if necessary.
4. Check positive displacement rotary air blower fluid level. At ambient temperature the oil should run out the plug on the housing side. (Refer to the Blower' Manual).
5. All toggle switches and keys should be turned to the "OFF" position before doing any work on the equipment. This will help prevent injuries.
6. Remember that safe operation of this equipment is the Operator's responsibility.

MACHINE START UP

1. Clean the pleat spun bond polyester filter element before starting the Crack-Vac. A clogged air filter can seriously affect the efficiency of the blower and cause overheating and excessive oil usage.
2. Cleaning the filter element will help protect the life of the positive displacement rotary air blower. (See page 13 item B for element location).
3. Check to make sure that all the suction hoses are free from debris.
4. Check fluid levels on the positive displacement rotary air blower. (See Rotary Air Blower Manual). Proper oil level cannot be over-emphasized. A good maintenance program will add years of service to your blower. Oil reservoir capacity is 7.0 fluid ounces.
5. Dump all debris from the Storage Tank. This will allow the air to flow properly. (See page 13 item A for door opening)
6. Check the hydraulic fluid level in DC Hydraulic Power System located under the Storage tank (See pg 14 item A for location of fluid level).
7. Check the pivot boom assembly to be sure the boom swivels properly.
8. Check diesel tank level to be sure it is full before you start (see pg 14 item B).
9. Check LG 16" pressure manhole access door to be sure it is properly locked in place on the storage holding tank.
10. Be sure intake piping is clean and free from all obstructions.
11. Keep hands and clothing away from rotating machinery, inlet , and discharge openings.
12. Start engine per Engine Manual. Adjust throttle between 3/4 to full. (see page 12 item A and B)
13. Check for unusual noise or vibration in the air rotary blower.

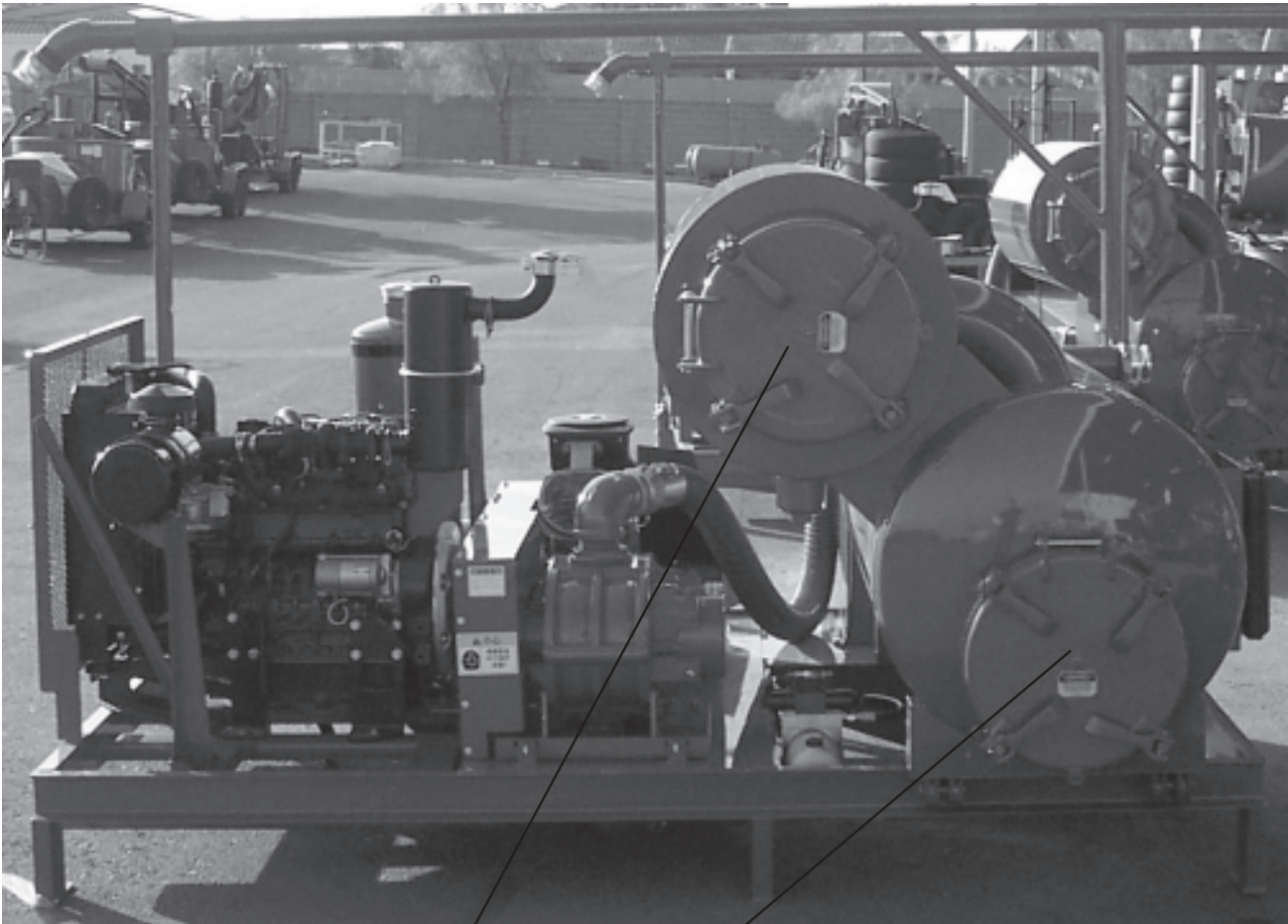
ENGINE START-UP PANEL AND THROTTLE



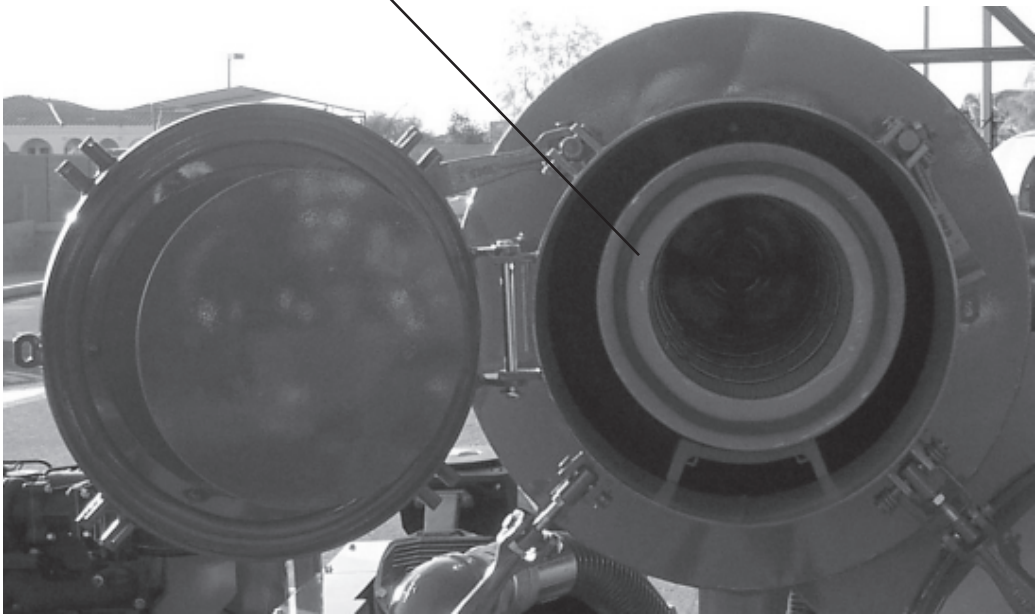
A

B

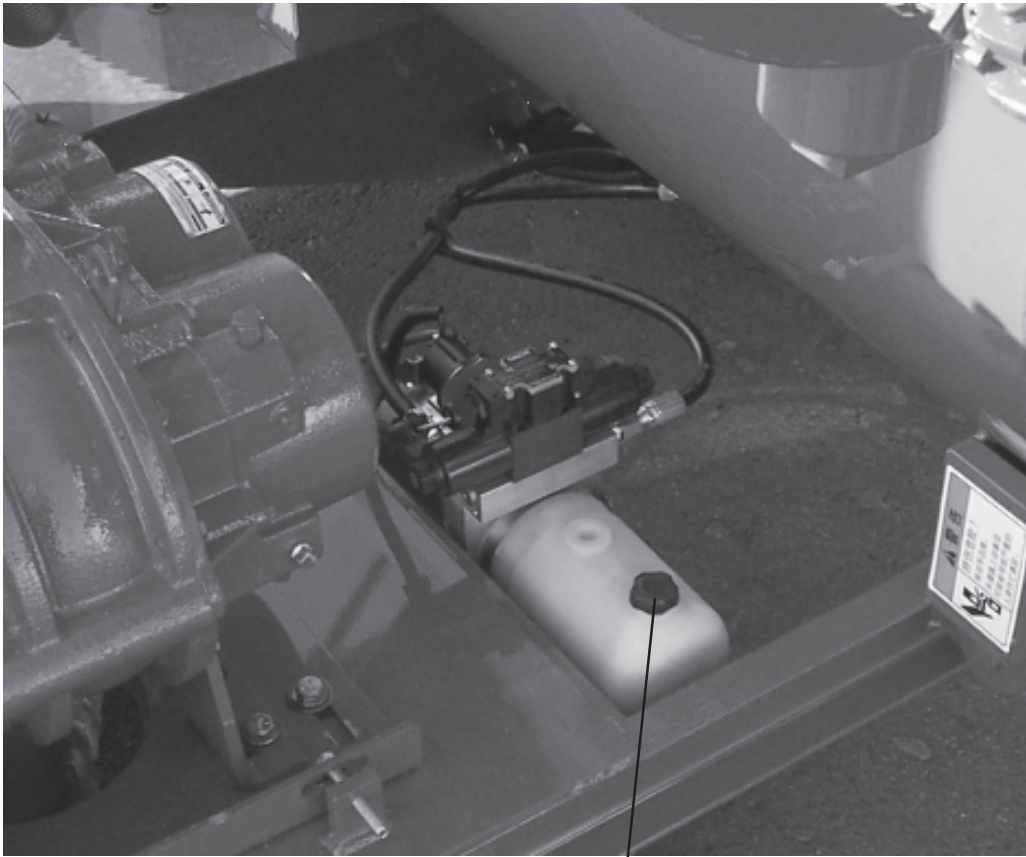
DEBRIS CLEANOUT AND FILTER REMOVAL



B **A**



DIESEL FUEL AND HYDRAULIC FILL LOCATION



B

A



UNLOADING THE DEBRIS HOLDING TANK

When unloading the debris holding tank, make sure the engine is stopped. This will help prevent damage to the blower. Unlatch the LG 16" manhole cover safety catches very slowly to relieve the pressure in the holding tank. Unlatch the three (3) cam levers first before unlatching the cam lever with the safety catch protective wire. The safety catch protective wire will help keep the LG 16" manhole cover from opening too quickly (see pg 13 item A). Once the LG 16" manhole cover is opened, raise the storage holding tank. Use the toggle switch mounted in support frame. Lifting the toggle switch up will raise the storage tank. This will allow th dirt, rocks, mud and other debris to fall out. After the tank is dumped, move the toggle switch down to lower the unit into place. Use caution not to pinch any part of the body. Latch the LG 16" manhole cover using the cam lever. Do not slam your fingers under the cam levers.

SHUTDOWN AND CLEAN-OUT PROCEDURE

Crafco recommends cleaning the 150 gal debris tank after each use. This will make it easier to clean the tank and the material will not lodge inside the tank. Crafco recommends cleaning the pleated spun bond poyester filter element and the bag house after every use. It is essential to keep the filter element and the storage tank clean to help protect the rotary air blower.

1. Remove filter element from bag house. Make sure tank is not raised (See pg 13 item B).
2. Gently blow compressed air through the pleates on the filter element.
3. Wash the filter element gently with water.
4. Let the filter element dry for 10 hours before using it again.
5. Store filter in a safe place to prevent damage.
6. Install the other filter provided in the bag house. This will insure that the Crack-Vac is ready for use.
7. Filtration efficiency and pressure drop performance is very dependent on cleaning the filter element.
8. Check the rotary air blower oil capacity. Fill if necessary. Grease the rotary air blower as recommended.
9. Be sure intake piping is clean and free of all obstructions.

STORING THE MACHINE

The Crack-Vac should be stored in an area where moisture cannot enter the machine. Taking proper care of the Crack-Vac will add years to the life of the equipment. The Crack-Vac has been built to exacting standards and if properly maintained will give you many years of reliable service. We urge you to take the time to read and follow every step of the instructions for installing and maintaining your Crack-Vac. The buyer shall have no claim whatsoever and no product or part shall be deemed to be defective by reason of failure to resist erosive or corrosive action. Problems resulting from build-up of material within the unit or problems due to incompatibility with the materials of construction will not be reason for a claim.

MAINTENANCE INSTRUCTIONS

ENGINE

See Engine Owner's Manual for operating and maintenance instructions.



HYDRAULIC SYSTEM

Check hydraulic fluid level weekly. Change hydraulic fluid every 100 hours of operation or twice a year. Set up a hydraulic maintenance schedule and follow it diligently. Do not return to the system any fluid which has leaked out. Use clean containers, hoses, and funnels when filling the reservoir. Make sure that all filler caps, and breather cap filters on the reservoir are properly fastened. Make certain that the fluid used in the system is of a type recommended by the manufacturers of the system of components. Use Dextron II transmission fluid in the power pack. The best trouble shooting tip is to learn how the circuit or component functions.

ROTARY AIR BLOWER

- *Lubricate every 40 hours with good quality, high temperature grease.
- *Do not start the blower until you are sure oil has been put in the gear housing.
- *Do not inject grease too fast to avoid blowing out the drive shaft seal. Using a pressure gun, force new grease into each bearing until traces of clean grease come out of the relief fitting.
- *Drain and refill after the first 100 hours of operation and thereafter every 200 hours of operation under normal service and more frequently depending on the type of oil and oil operating temperature. Use good grade industrial type, anti-rust, oxidation and foam inhibited, non-detergent oil.
- *A good maintenance program will add years of service to your blower.
- *Oil capacity for model Number 4007 is 0.21 liter (.055 gal). If the blower is stored outdoors be sure to protect it from weather and corrosion.

SUCTION HOSES

Be sure hoses are free of debris for efficient blower operation and damage to blower. Inspect all hoses for damage. Replace any damaged section of the hose. Any blockage of the hose prevents the vacuum from operating correctly.

MAINTENANCE CHART

LOCATION	PROCEDURE	HOURS					
		8	50	100	400	500	600
Engine check oil level. Check coolant level. Check alt. drive belt. Check engine for leaks or damage - correct if necessary	See Engine Manual	*					
Other Engine Maintenance	See Engine Manual	*					
Change fuel filter (200 hrs.) Check belts for wear		*					
Change belt							*
Clean air cleaner element (earlier check may be necessary).				*			
Replace air cleaner element.					*		
Change coolant							*
Hydraulic Oil (Dextron II) Transmission Fluid	First change (10 hours)						
Hydraulic Oil (Dextron II) Transmission Fluid	Check oil level	*					
Hydraulic Oil (Dextron II) Transmission Fluid	Change oil			*			
Rotary Air Blower (Tuthill #6008 RHC)	Change oil after first 100 hours			*			
Rotary Air Blower (Tuthill #6008 RHC)	Every 1000 hours under normal service. More frequent if severe (See Tuthill Manual)						

SERVICE INSTRUCTIONS

1. Conduct a general inspection of your machine at least once a week. Replace all worn or damaged parts, make any necessary adjustments and tighten all loose nuts or screws.



2. Keep regular replacement items in stock for emergency repairs, to avoid costly "down" time.
3. Watch for leaks - tighten fittings or repair as necessary.
4. Clean machine externally periodically.
5. Follow recommended maintenance procedures on maintenance chart.

GENERAL MAINTENANCE ITEMS

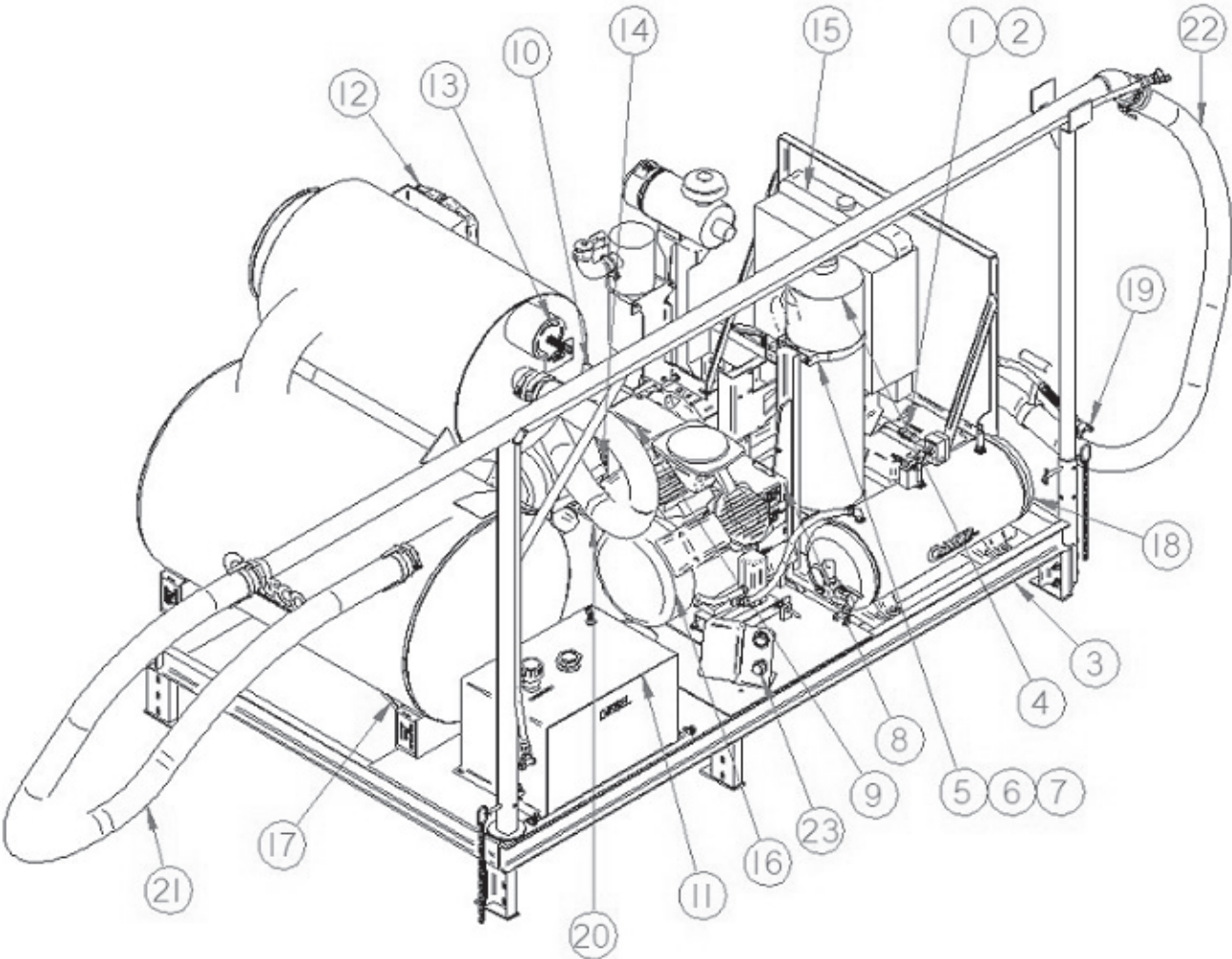
RECOMMENDED QUANTITY	DESCRIPTION	PART NO.
1	Vacuum Air Filter	60113
1	Engine Oil Filter	60537
1	Engine Fuel Filter	60538
1	Engine Air Filter	60539
1	Air Compressor Filter	60540
3	V-belt (Blower)	60457
3	V-belt (Compressor)	60458

RECOMMENDED FLUIDS & LUBRICANTS

APPLICATION	RECOMMENDED	FULL POINT
Engine Oil	Refer to Engine Owners Manual.	6.4 Qts.
Diesel	#1 Cold Climate #2 Warm Climate	23 Gal.
Hydraulic Oil (Dextron)	Dextron II- Transmission Oil	20.7 ml 0.7 Ounces
Oil Reservoir Capacity (Air Rotary Blower)		16.9 ounces (500 ml)
Air Compressor Oil	SAE 30 Detergent engine oil	Refer to compressor manual

THIS PAGE IS INTENTIONALLY BLANK

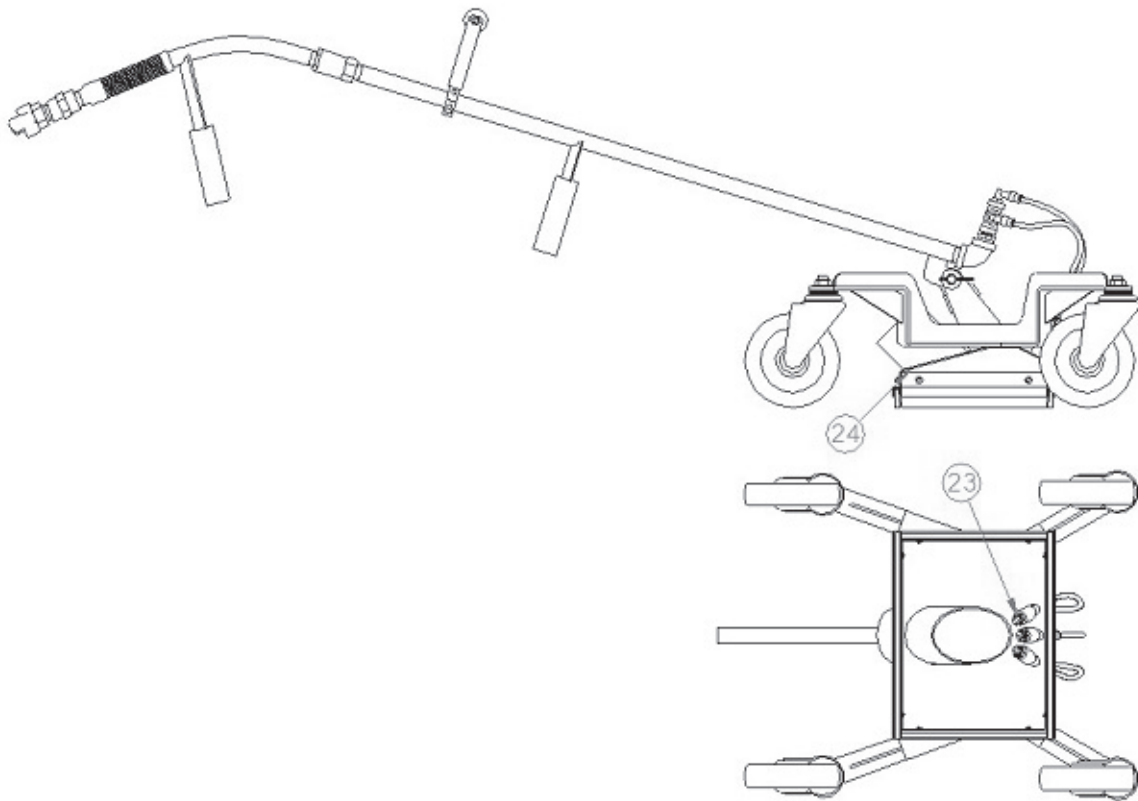
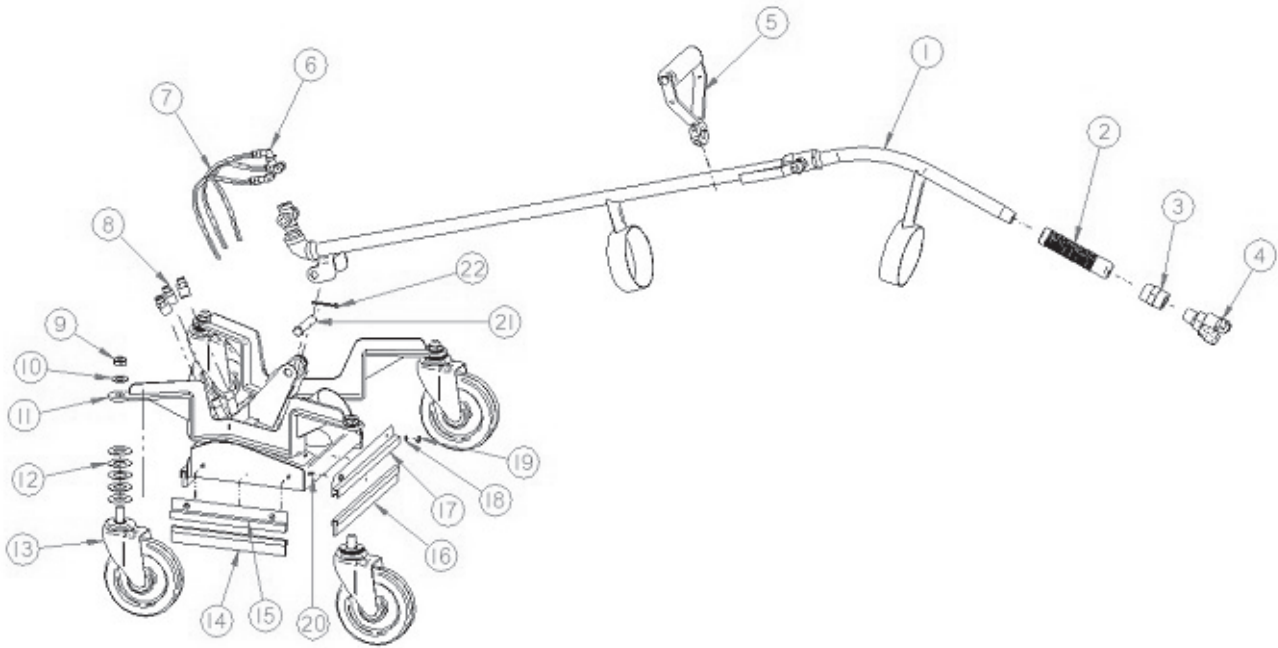
CRACK-VAC SELF CONTAINED P/N 60400



CRACK-VAC SELF CONTAINED P/N 60400

NUMBER	PART NUMBER	QTY	DESCRIPTION
1	24001	1	12 VOLT BATTERY
2	29359	1	BATTERY BOX
3	60440	1	VAC- TANK AND FRAME ASSEMBLY
4	92691	1	SILENCER
5	91708	2	MOUNTING RING CLAMP
6	90885	4	3/8-16 X 4" HX HD BOLT
7	28526	4	NUT, 3/8-16 HX HD
8	60534	1	BELT GUARD, COMPRESSOR
9	60428	1	BELT GUARD, CENTER SECTION
10	60533	1	BELT GUARD, BLOWER
11	91510	1	FUEL TANK ASSEMBLY
12	25289	1	RECORD BOX
13	60168	1	RELIEF VALVE SPRING
14	90720	1	JET AIR II BLOWER
15	60492	1	DIESEL ENGINE
16	60493	1	AIR COMPRESSOR
17	60118	1	HYDRAULIC LIFT CYLINDER
18	44237	1	AIR TANK/MANIFOLD ASSEMBLY
19	60880N	1	CRACK VAC WAND
20	60182	1	9' HOSE, FILTER TO BLOWER
21	60183	1	16' ABRASIVE HOSE
22	60555	1	25' LIGHT WEIGHT VACUUM HOSE
23	91046	1	THROTTLE CABLE ASSEMBLY
NOT SHOWN	60457	3	3VX560 SUPER HC V- BELT (COMPRESSOR)
NOT SHOWN	60458	3	3VX630 SUPER HC V-BELT (BLOWER)
NOT SHOWN	60117	1	HYDRAULIC POWER PACK UNIT
NOT SHOWN	60958N	1	EXHAUST HOSE, BLOWER TO SILENCER

WAND ASSEMBLY- P/N 60880N



WAND ASSEMBLY- P/N 60880N

NUMBER	PART NUMBER	QTY	DESCRIPTION
1	60895N	1	HANDLE, AIR TUBE ASSEMBLY
2	60517	1	BLACK VINYL GRIP
3	28178	1	COUPLER, 1/2" NPT PIPE
4	42643	1	1/2" NPT AIR HOSE FITTING
5	60513	1	WAND HANDLE ASSEMBLY, CRACKVAC
6	60233	3	1/4" 90° PLASTIC TUBE FITTING
7	60232	2.17 FT	1/4" O.D. PLASTIC TUBE
8	60899N	3	1/4" FEMALE TUBE QUICK CONNECT
9	28534	4	1/2"-13 ESNA JAM NUT
10	28674	5	WASHER, SAE 1/2"
11	60890N	1	SQUARE HEAD WELD ASSEMBLY
12	60896N	20	WHEEL SPACER
13	60897N	4	5" SWIVEL CASTER
14	60595N	2	BRUSH SEAL, SIDE
15	60593N	2	BRUSH HOLDER, SIDE
16	60594N	2	BRUSH SEAL, FRONT-BACK
17	60592N	2	BRUSH HOLDER, FRONT-BACK
18	28644	8	#10 LOCK WASHER
19	28554	8	#10=32 HEX NUT
20	28819	8	#10=32 SLOTTED ROUND HEAD SCREW
21	60898N	1	CLEVIS PIN, 1/2" X 2-1/2"
22	57578	1	1/8" X 1-1/2" COTTER PIN
23	60596N	3	HIGH PRESSURE SPRAY NOZZLE
24	60879N	1	DECAL, HIGH PRESSURE/BRUSH HEIGHT



©Copyright 2019 by Crafco, Inc.