



# **Autoloader Manual for EZ Series II and Super Shot Melters**

Parts Manual - 51240  
Revision H







**Super Shot 250 Diesel and Diesel Compressor Autoloader Kit  
PN 51399**



**EZ SERIES II 1000 EC Diesel Compressor Autoloader Kit  
PN 51399**



**EZ Series II 1500EBDP Autoloader Kit  
PN 51399**

## Table of Contents

1.0 About This Manual .....	1-1
2.0 Safety Precautions .....	2-1
2.1 General Safety .....	2-1
2.2 Personal Safety .....	2-1
2.3 Equipment or Operational Safety .....	2-1
2.4 Safety Symbols and Notices .....	2-2
3.0 Limited Warranty .....	3-1
3.1 Warranty Claim Instructions .....	3-2
4.0 Machine Specifications .....	4-1
5.0 Operating Instructions .....	5-1
5.1 Preparing the Machine for Start Up .....	5-1
5.2 How to use the Material Dipstick on single lid units (SS125D & SS125DC) .....	5-2
5.3 Autoloader Start Up .....	5-4
5.4 Shutting Down .....	5-5
5.5 Storing the Machine .....	5-5
5.6 Instructions for Ordering Parts .....	5-5
6.0 Service and Maintenance Instructions .....	6-1
6.1 Maintenance Chart .....	6-1
6.2 Belt Tracking Adjustments .....	6-2
7.0 How to Use a Multimeter .....	7-1
7.1 Checking DC Voltage with a Multimeter .....	7-1
7.2 Checking AC Voltage with Multimeter .....	7-1
7.3 Checking Resistance (Ohms) .....	7-1
7.4 Checking Amperage .....	7-2
8.0 Troubleshooting .....	8-1
8.1 Basic Visual Troubleshooting .....	8-1
8.2 Conveyor Electrical Troubleshooting .....	8-2
8.3 Conveyor Electrical Troubleshooting Continued .....	8-3
8.4 Conveyor hydraulic Troubleshooting .....	8-5
9.0 About the Illustrated Parts List .....	9-1
9.1 51177 Super Shot 125 Diesel Melter Autoloader Kit .....	9-2
9.2 51302 Top Support-Cross Over Assembly .....	9-4
9.3 51113 Heavy Duty Structure Support .....	9-5
9.4 51253 Front Leg Support Mounting Plate Assembly .....	9-6

## Table of Contents

9.5 51320 Splash Box Welded Assembly .....	9-8
9.6 51441 10' Conveyor Assembly .....	9-10
9.7 26604 Electrical Schematic Super Shot Autoloader Page 1 .....	9-12
9.8 26604 Electrical Schematic Super Shot Autoloader Page 2 .....	9-13
9.9 26693 Hydraulic Schematic Super Shot Autoloader .....	9-14
9.10 51318 SS125 Diesel Compressor 100 CFM Melter Autoloader Kit .....	9-16
9.11 51395 Top Support-Cross Over Assembly .....	9-18
9.12 51113 Heavy Duty Structure Support .....	9-19
9.13 51253 Front Leg Support Mounting Plate Assembly .....	9-20
9.14 51320 Splash Box Welded Assembly .....	9-22
9.15 51430 13' Conveyor Assembly .....	9-24
9.16 26604 Electrical Schematic Super Shot 125 DC 100 CFM Autoloader Page 1 .....	9-26
9.17 26604 Electrical Schematic Super Shot 125 DC 100 CFM Autoloader Page 2 .....	9-27
9.18 26693 Hydraulic Schematic Super Shot Autoloader .....	9-28
9.19 51399 EZ Series II 1000 Diesel and Diesel Compressor (All Models), EZ Series II 1500 Diesel and Diesel Compressor (All Models), Super Shot 250 Diesel and Diesel Compressor (All Models) Melter Autoloader Kit .....	9-30
9.20 51255 Underbody Angled Support Brace .....	9-32
9.21 51392 Top Support-Cross Over Assembly .....	9-33
9.22 51113 Heavy Duty Structure Support .....	9-34
9.23 51253 Front Leg Support Mounting Plate Assembly .....	9-35
9.24 51375 Splash Box Welded Assembly LH .....	9-36
9.25 51468 13' Conveyor Assembly .....	9-38
9.26 46614 Boom Lock Assembly Conveyor .....	9-40
9.27 26604 Electrical Schematic EZ Series II 1000 Diesel and Diesel Compressor (All Models), EZ Series II 1500 Diesel and Diesel Compressor (All Models), Super Shot 250 Diesel and Diesel Compressor (All Models) Melter Autoloader Page 1 .....	9-42
9.28 26604 Electrical Schematic EZ Series II Autoloader Page 2 .....	9-43
9.29 26605 Hydraulic Schematic EZ Series II 1500 Autoloader .....	9-44
9.30 26609 Hydraulic Schematic EZ Series II 1000 All Melters Autoloader .....	9-46
9.31 26630N Hydraulic Schematic SS250 All Melters Autoloader .....	9-48
9.32 Hitch Extension Options .....	9-50



**List of Figures**

Figure 6.1 Belt Tracking Adjustment .....	6-2
Figure 7.1 Standard Multimeter.....	7-2
Figure 7.2 Clamp – On Amp Meter/Multimeter .....	7-3
Figure 8.1 Electrical Troubleshooting.....	8-4
Figure 9.1 51177 Super Shot 125 Diesel Melter Autoloader Kit .....	9-2
Figure 9.2 51302 Top Support-Cross Over Assembly .....	9-4
Figure 9.3 51113 Heavy Duty Structure Support.....	9-5
Figure 9.4 51253 Front Leg Support Mounting Plate Assembly .....	9-6
Figure 9.5 51320 Splash Box Welded Assembly.....	9-8
Figure 9.6 51441 10' Conveyor Assembly.....	9-10
Figure 9.7 26604 Electrical Schematic Super Shot Autoloader Page 1 .....	9-12
Figure 9.8 26604 Electrical Schematic Super Shot Autoloader Page 2 .....	9-13
Figure 9.9 26693 Hydraulic Schematic Super Shot Autoloader .....	9-14
Figure 9.10 51318 SS125 Diesel Compressor 100 CFM. Melter Autoloader Kit.....	9-16
Figure 9.11 51395 Top Support-Cross Over Assembly .....	9-18
Figure 9.12 51113 Heavy Duty Structure Support.....	9-19
Figure 9.13 51253 Front Leg Support Mounting Plate Assembly .....	9-20
Figure 9.14 51320 Splash Box Welded Assembly.....	9-22
Figure 9.15 51430 13' Conveyor Assembly.....	9-24
Figure 9.16 26604 Electrical Schematic Super Shot 125 DC 100 CFM Autoloader Page 1.....	9-26
Figure 9.17 26604 Electrical Schematic Super Shot 125 DC 100 CFM Autoloader Page 2.....	9-27
Figure 22 26693 Hydraulic Schematic Super Shot Autoloader.....	9-28
Figure 9.19 51399 EZ Series II 1000 Diesel and Diesel Compressor (All Models), EZ Series II 1500 Diesel and Diesel Compressor (All Models), Super Shot 250 Diesel and Diesel Compressor (All Models) Melter Autoloader Kit.....	9-30
Figure 9.20 51255 Underbody Angled Support Brace .....	9-32
Figure 9.21 51392 Top Support-Cross Over Assembly .....	9-33
Figure 9.22 51113 Heavy Duty Structure Support.....	9-34
Figure 9.23 51253 Front Leg Support Mounting Plate Assembly .....	9-35
Figure 9.24 51375 Splash Box Welded Assembly LH .....	9-36
Figure 9.25 51468 13' Conveyor Assembly.....	9-38



## List of Figures

Figure 9.26 46614 Boom Lock Assembly Conveyor .....	9-40
Figure 9.27 26604 Electrical Schematic EZ Series II Autoloader Page 1.....	9-42
Figure 9.28 26604 Electrical Schematic EZ Series II Autoloader Page 2.....	9-43
Figure 9.29 26605 Hydraulic Schematic EZ Series II 1500 Autoloader .....	9-44
Figure 9.30 26609 Hydraulic Schematic EZ Series II 1000 All Melters Autoloader .....	9-46
Figure 9.31 26630N Hydraulic Schematic SS250 All Melters Autoloader .....	9-48
Figure 9.32 Hitch Extension Options .....	9-50

## List of Tables

Table 2-1 Safety Symbols and Notices .....	2-2
Table 2-2 Safety Symbols and Notices continued .....	2-3
Table 4-1 Machine Specifications .....	4-1
Table 5-1 Preparing the Machine for Start Up .....	5-1
Table 5-2 How to use the Material Dipstick .....	5-2
Table 5-3 Autoloader Start Up .....	5-4
Table 5-4 Shutting Down .....	5-5
Table 6-1 Maintenance Chart.....	6-1
Table 8-1 Basic Visual Troubleshooting.....	8-1
Table 8-2 Conveyor Electrical Troubleshooting.....	8-2
Table 8-3 Conveyor Electrical Troubleshooting Continued.....	8-3
Table 8-4 Conveyor Hydraulic Troubleshooting .....	8-5
Table 9-1 51177 Super Shot 125 Diesel Melter Autoloader Kit .....	9-3
Table 9-2 51302 Top Support-Cross Over Assembly .....	9-4
Table 9-3 51113 Heavy Duty Structure Support.....	9-5
Table 9-4 51253 Front Leg Support Mounting Plate Assembly .....	9-6
Table 9-5 51320 Splash Box Welded Assembly.....	9-9
Table 9-6 26693 Hydraulic Schematic Super Shot Autoloader.....	9-15
Table 9-7 51318 SS125 Diesel Compressor 100 CFM. Melter Autoloader Kit.....	9-17
Table 9-8 51395 Top Support-Cross Over Assembly .....	9-18
Table 9-9 51113 Heavy Duty Structure Support.....	9-19
Table 9-10 51253 Front Leg Support Mounting Plate Assembly .....	9-20
Table 9-11 51320 Splash Box Welded Assembly.....	9-23
Table 9-12 51430 13' Conveyor Assembly.....	9-25
Table 9-13 26693 Hydraulic Schematic Super Shot Autoloader.....	9-29
Table 9-14 51399 EZ Series II 1000 Diesel and Diesel Compressor (All Models), EZ Series II 1500 Diesel and Diesel Compressor (All Models), Super Shot 250 Diesel and Diesel Compressor (All Models) Melter Autoloader Kit.....	9-31
Table 9-15 51255 Underbody Angled Support Brace .....	9-32
Table 9-16 51392 Top Support-Cross Over Assembly .....	9-33
Table 9-17 51113 Heavy Duty Structure Support.....	9-34

## List of Tables

Table 9-18 51253 Front Leg Support Mounting Plate Assembly.....	9-35
Table 9-19 51375 Splash Box Welded Assembly LH .....	9-37
Table 9-20 51468 13' Conveyor Assembly.....	9-39
Table 9-21 46614 Boom Lock Assembly Conveyor.....	9-41
Table 9-22 Hydraulic Schematic EZ Series II 1500 Autoloader .....	9-45
Table 9-23 26609 Hydraulic Schematic EZ Series II 1000 All Melters Autoloader .....	9-47
Table 9-24 26630N Hydraulic Schematic SS250 All Melters Autoloader .....	9-49
Table 9-25 Hitch Extension Options.....	9-50



## Chapter 1 Introduction

### 1.0 About This Manual

This manual is supplied with each Autoloader Option. The manual assists your machine operators in the proper use of the Autoloader and provides information about the mechanical functions. Your CrafcO Autoloader is specially made to give excellent service and save maintenance expense. However, as with all specially engineered equipment, you get best results at minimum cost if you: Operate your Autoloader as instructed in this manual. Maintain your Autoloader regularly as stated in this manual.

**Note:** This manual is formatted to start each new chapter on the right page. There may be a blank page on the left page if the previous chapter ends on the right page.



## Chapter 2 Safety

### 2.0 Safety Precautions

For more in-depth safety information, please see Safety Manual (PN 26221) which comes with the machine. Or contact your nearest authorized Crafco Distributor at [crafco.com/Distributors](http://crafco.com/Distributors).

### 2.1 General Safety

- Crafco, Inc. assumes no liability for an accident or injury incurred through improper use of the machine.
- Read this manual thoroughly before operating the Autoloader.
- Obey all CAUTION and WARNING signs posted on the machine.
- Make sure an operator fully knows how to operate the Autoloader before using this feature.

### 2.2 Personal Safety

- The high operating temperatures of the machine in which the Autoloader is attached and the sealant it contains requires that protective clothing, gloves, hard-soled shoes, and safety glasses or a face shield be worn at all times by operators of the machine.
- Only trained, qualified operators should be permitted to operate the Autoloader System.
- Keep hands, feet, and clothing away from all moving parts. Keep away from pulleys when Autoloader is running.
- Do not wear loose clothing or uncovered hair around the Autoloader is in operation.
- Do not walk; ride, climb or touch moving parts on an Autoloader is in operation.
- Always keep guards in place when an Autoloader is in operation.

### 2.3 Equipment or Operational Safety

- Replace any hoses which show signs of wear, fraying or splitting.
- Make sure all fittings and joints are tight and do not leak each time the machine is used.
- Do not leave the machine unattended while the burner is lit.
- Tighten all bolts and screws every 100 hours of machine operation.
- Check overhead clearance before driving under guide wires, low hanging tree branches, and entering or leaving buildings.
- To ensure the protection provided by design, the protective structure must not be altered by welding, cutting, drilling, or by any other means.
- Make sure one of the two red buttons is push completely in before attempting any service to the Autoloader system as well as removing any jammed material.
- To prevent electrical shock; Autoloader is grounded and will have proper electrical connections, in accordance, with federal, state, and local codes.








**Chapter 2 Safety**

**2.4 Safety Symbols and Notices**





Important safety symbols and notices are marked on the machine and in this manual. Failure to comply could result in equipment damage, operational malfunction, serious injury, or death. Please read and comply with all symbols and notices. The table below includes the most commonly used symbols and notices.

**Table 2-1 Safety Symbols and Notices**

Symbol	Item	Remarks
<b>WARNING</b>	Warning	Refers to possible bodily injury or death.
<b>CAUTION</b>	Caution	Refers to possible equipment damage or operational malfunction.
	Severe Burn Hazard	Hot material can cause severe burns.
	Protective Shoes	Wear hard-soled work shoes.
	Protective Gloves	Wear heat resistant gloves.
	Protective Face or Eye Wear	Wear face shield or safety glasses.
	Body Crush Hazard	Do not stand between trailer and hitch when hooking melter to truck.

**Chapter 2 Safety**

**Table 2-2 Safety Symbols and Notices continued**

Symbol	Item	Remark
	Crush Hazard	Keep feet and legs clear.
	Pinch Hazard	Keep hands and feet clear.
	Exhaust Hazard	Avoid breathing engine exhaust.
	Read Manual	Read and understand operator and safety manuals before operating machine.



## Chapter 3 Warranty Information

### 3.0 Limited Warranty

Crafco, Inc., through Crafco or one of its affiliated distributor, will replace for the original purchaser free of charge any parts found upon examination by the factory at Chandler, Arizona, to be defective in material or workmanship. This warranty is for a period two year from in-service date, but excludes engine or components, tires, and battery as these items are subject to warranties issued by their manufactures.

Crafco, Inc. shall not be liable for parts that have been damaged by accident, alteration, abuse, improper lubrication/maintenance, normal wear, or other cause beyond our control.

The warranty provided herein extends only to the repair and/or replacement of those components on the equipment covered above and does not cover labor costs. The warranty does not extend to incidental or consequential damages incurred as a result of any defect covered by this warranty.

All transportation and labor costs incurred by the purchaser in submitting or repairing covered components must be borne by the purchaser. Crafco, Inc. specifically disavows any other representation, warranty, or liability related to the condition or use of the product

#### CAUTION

Use of replacement parts other than genuine Crafco parts may impair the safety or reliability of your equipment and nullifies any warranty.

## Chapter 3 Warranty Information

### 3.1 Warranty Claim Instructions

Crafco, Inc. warrants parts and machinery purchased through Crafco or one of its affiliated distributors for two year from purchased or in-service date\*\*. If parts fail to function within the first year of purchase, a return authorization number (RA) must be obtained. If the part was purchased through Crafco, Inc., please contact Crafco returns department at [Returns@Crafco.com](mailto>Returns@Crafco.com) for a RA number or if purchased through a Crafco distributor please contact your distributor. Note: if the part has a serial number associated with it, for example; a machine or electric hose or wand, this must be furnished when requesting the RA number. The customer will be emailed or faxed a RA form with all instructions to return the item to Crafco, Inc. See example. If the part is found to be within the one year warranty period and has not been abused or modified, a credit will be issued to the customer's account or credit card. The customer may request the part be replaced instead of a credit, if desired.

Wear items are not covered under Crafco, Inc. limited warranty. A wear item is defined as but not limited to: material pumps, sealing tips, tires, etc.

Note: All engine warranties are covered through the engine manufacture. If you need information for a distributor in your area please contact us and we will direct you to the closest engine distributor.

All parts returned are tested and evaluated. If the part has been modified in anyway without prior consent from Crafco, Inc. representative, warranty is void.

Please follow the instructions stated below when calling in a Warranty Claim. Failure to follow these procedures may be cause to void the warranty.

Call your local Crafco Distributor. If you do not know who your local distributor is, call a Crafco Customer Service Representative, (Toll Free 1-800-528-8242) for name, location and telephone number.

On contacting the distributor, be prepared to identify the serial number, model number, engine number, engine manufacturer, and the date of purchase if available.

Should the cause of the malfunction be a defective part, the Distributor will advise you of the procedure to follow for a replacement.

The warranty is valid only for parts, which have been supplied or recommended by Crafco, Inc.

If you have any additional questions regarding warrant repairs and parts, please do not hesitate to call toll free 1-800-528-8242.

#### For Warranty:

Crafco, Inc.  
25527 South Arizona Avenue, Chandler, AZ  
85248  
Phone: (480) 655-8333 or (800) 528-8242  
Fax: (480) 655-1712

#### For all other inquires:

Crafco, Inc.  
6165 W Detroit, Chandler, AZ 85226  
Phone: (602) 276-0406 or (800) 528-8242  
Fax: (480) 961-0513  
[CustomerService@crafco.com](mailto:CustomerService@crafco.com)

## Chapter 4 Machine Specifications

### 4.0 Machine Specifications

**Table 4-1 Machine Specifications**

10' and 13' Autoloader Selections	<p>Frame: 3 ½" x 1 ½" x 10 gauge formed channel</p> <p>Rollers: 1.9" diameter x 16 gauge rollers</p> <p>Overall Width: 18"</p> <p>Roller centers: 3"; 15" between frame rails</p> <p>Capacity: Holds up to 800lbs.</p>
Support Stand	<p>Heavy duty structural supports. Capacity rating is 6,000 lbs. per support. Adjustment up to 12" per support.</p>
Take-Up End	<p>Screw type unit at tail pulley 4" end take-up</p> <p>Pulley: 4" diameter with 1-3/16" diameter shaft, crown</p> <p>Frame: 1.9" diameter x 16 gauge steel roller</p> <p>Capacity: 400 lbs.</p> <p>Bearing: Heavy duty reliable ball bearing with cast iron housing.</p>
Drive End	<p>Pulley: 4" diameter with 1-3/16" diameter shaft</p> <p>Frame: 7" x 1-1/2" x 12 gauge steel</p> <p>Rollers: 1.9" diameter x 16 gauge steel roller</p> <p>Capacity: 400 lbs.</p> <p>Bearing: Heavy duty reliable ball bearing with cast iron housing.</p>
Autoloader Belt	<p>Black PVC 120 C x FS w/125 lacing. 12" belt width.</p>
Hydraulic Solenoid Valve	<p>Four-way electrically controlled solenoid valve.</p>
Electrical	<p>Momentary "ON" switch, emergency stop button to disable the conveyor. Momentary switch activates to move the sealant blocks forward. "FOR-REV" switch, curbside momentary "ON" switch. Water proof electrical components. Circuit breaker for added protection to the equipment. Valve is activated by an electric solenoid.</p>





## Chapter 5 Operating Instructions


### 5.0 Operating Instructions

This equipment shall be used to convey crack sealant blocks weighing up to 60 pounds to the Crafcro EZ Series II Melter and Super Shot Melter from the back of a tow vehicle. Sealant blocks are placed on the autoloader and fed to the melter as needed. The loading hatch will be equipped with a splash resistant loading tower that will automatically close as sealant blocks are dropped. The system may be field installed on all Crafcro EZ Series II Melter and Super Shot Melter. Contact an authorized Crafcro employee and/or distributor for assistance.

**Note:** DO NOT attempt to operate the machine without using these and all other instructions.

### 5.1 Preparing the Machine for Start Up

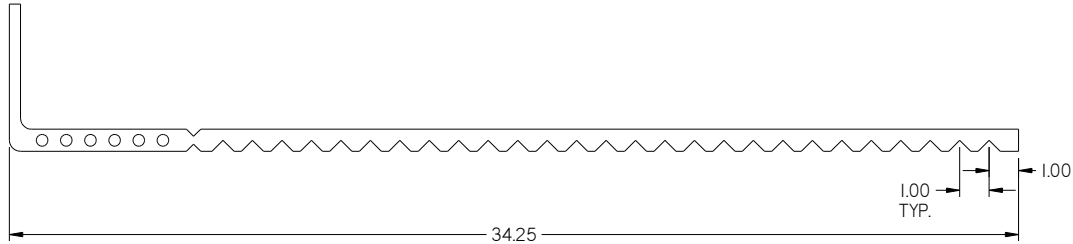
**Table 5-1 Preparing the Machine for Start Up**

Step	Action
1	Remember that safe operation of this equipment is the operator's responsibility.
2	Personnel intending to operate the Autoloader System should be experienced and qualified.
3	Operators should be familiar with the Autoloader System and always operate the unit in a responsible manner.
<b>WARNING</b>	
	<p>Use extreme care when operating this equipment. Safety is the result of being careful and paying attention to details. Certain exposed parts of this machine will cause serious injury. Always put on protective clothing, gloves, hard-soled shoes, and safety glasses or a face shield.</p> <p>Be sure that all joints and fittings are tight and leak proof. Immediately replace any hose, which shows any signs of wear, fraying, or splitting. Tighten all bolts, nuts, and screws every 100 hours.</p>
4	Know where the Autoloader safety shut down switches are located.
5	Check to see if the switches are operating properly.
6	Make sure the Autoloader belt is tracking properly in the middle of the Autoloader bed. Also check the Autoloader belt tension.
<b>WARNING</b>	
7	The melter should not be left unattended with sealant blocks on the Autoloader. Sealant blocks should be removed from the Autoloader when traveling to and from a job site, or when speeds exceed 10 m.p.h.

**Chapter 5 Operating Instructions**

**5.2 How to use the Material Dipstick on single lid units (SS125D & SS125DC)**

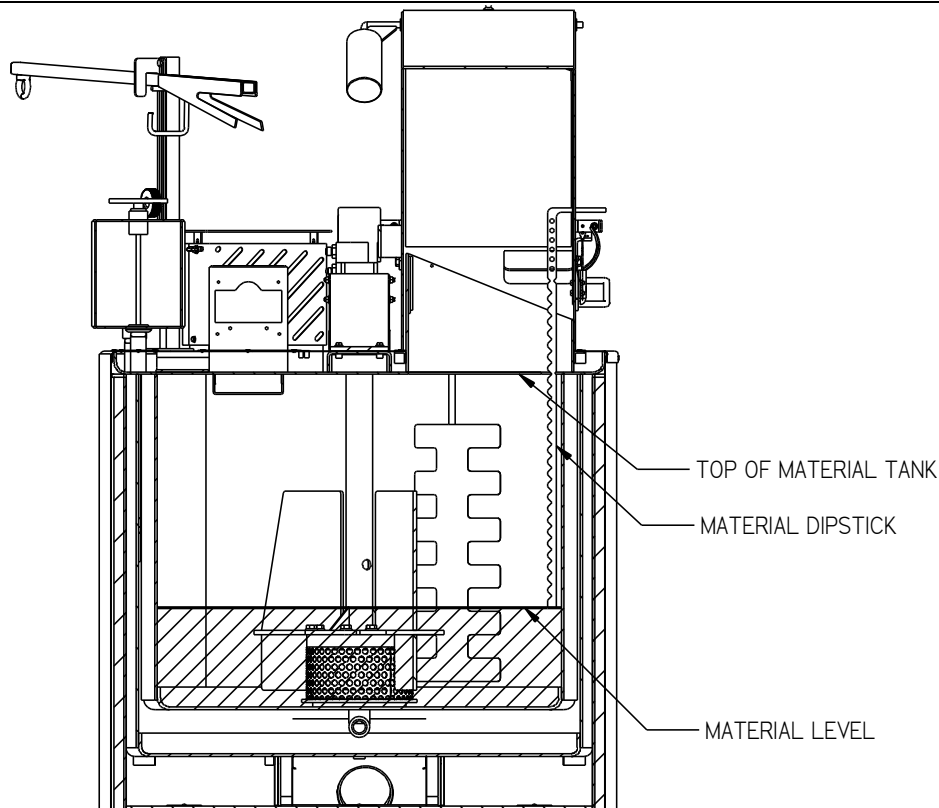
Autoloader kits (51177 & 51318) come with a Material Dipstick part number 51298; it can be used to find the level of sealant in the material tank.



Below is a section view of a SS125D material tank showing you how to use the material dipstick.

**Table 5-2 How to use the Material Dipstick**

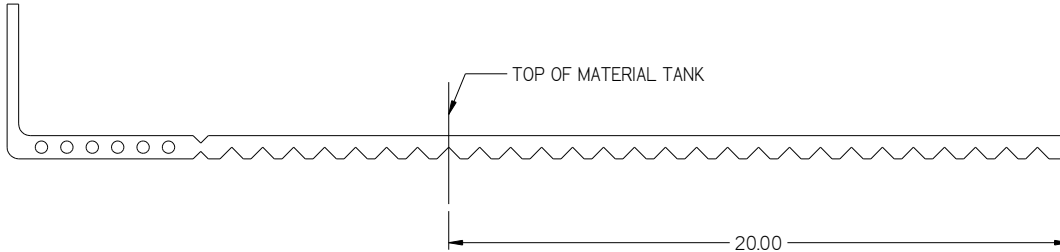
Step	Action
<b>WARNING</b>	
The sealant can reach temperature of 400°F (204.4°C), Always put on protective clothing, gloves, hard-soled shoes, and safety glasses or a face shield.	
1	Turn the mixer toggle switch to the “OFF” position.
2	Open the splash box side inspection door, insert the material dipstick into the material tank and lower it down to the level of the material inside the tank.
3	Take note of which notch is closest to the top of the material tank.



**Chapter 5 Operating Instructions**

From the example above, the empty space inside the material tank is 20 inches. See below showing the material tank depth chart of the SS125D material tank.

Note: Each Operators Manual has a Material Tank Depth Chart.



DEPTH OF MATERIAL TANK (INCHES)	CAPACITY IN GALLONS BOTTOM UP	CAPACITY IN LITERS BOTTOM UP	CAPACITY IN GALLONS TOP DOWN	CAPACITY IN LITERS TOP DOWN
1	4.65	17.60	127.87	484.06
2	9.30	35.20	123.22	466.46
3	13.95	52.81	118.57	448.86
4	18.60	70.41	113.92	431.26
5	23.25	88.01	109.27	413.66
6	27.90	105.61	104.62	396.06
7	32.55	123.22	99.97	378.46
8	37.20	140.82	95.32	360.86
9	41.85	158.42	90.67	343.26
10	46.50	176.02	86.02	325.66
11	51.15	193.62	81.37	308.06
12	55.80	211.23	76.72	290.46
13	60.45	228.83	72.07	272.86
14	65.10	246.43	67.42	255.26
15	69.75	264.03	62.77	237.66
16	74.40	281.63	58.12	220.06
17	79.05	299.24	53.47	202.46
18	83.70	316.84	48.82	184.86
19	88.35	334.44	44.17	167.26
20	93.00	352.04	39.52	149.66
21	97.65	369.65	34.87	132.06
22	102.30	387.25	30.22	114.46
23	106.95	404.85	25.57	96.86
24	111.60	422.45	20.92	79.26
25	116.25	440.05	16.27	61.66
26	120.90	457.66	11.62	44.06
27	125.55	475.26	6.97	26.46
28	130.20	492.86	2.32	8.86
28.5	132.52	501.66	0	0.00

In this example, using the first column for the “Depth of Material Tank” (20 inch) and the fourth column “Capacity in Gallons Top Down” there is approximately 39.52 gallons inside the tank.

## Chapter 5 Operating Instructions

### 5.3 Autoloader Start Up

**Table 5-3 Autoloader Start Up**

Step	Action
1	Start the engine. (Refer to the manufacturer's instructions for the engine).
2	Always make sure the Autoloader belt is empty of all sealant block or other items.
3	Make sure the emergency stop switch is pulled out in both locations.
4	Push the curbside operations switch "ON" to see if the Autoloader is working properly before loading sealant blocks.
5	To load, remove the locking pin on the loading door, and place the material on the Autoloader belt as required to feed the melter. Hold the operator "ON" control switch at the end of the Autoloader. The momentary switch is activated to move the sealant blocks forward. Following this procedure will prevent the hot material from splashing and causing serious burns to personnel.
	<b>CAUTION</b>
	To prevent injuries, never open the splash resistant loading tower swing doors while the Autoloader is operating.
6	Always maintain the equipment properly. Tighten loose bolts, all electrical connections, and all hydraulic hoses.
7	The solid material must be added at intervals which allow the mixer (or agitator) to rotate without jamming. If blocks of material are fed in too quickly, jamming will result and slow down the melting process.

## Chapter 5 Operating Instructions

### 5.4 Shutting Down

**Table 5-4 Shutting Down**

Step	Action
1	Read the “Shutdown and Clean-Out Procedure” in your Crafcro Melter Operations Manual.
2	Remove all sealant blocks from the Autoloader belt at the end of the shift.
3	Turn the top curbside weatherproof operations switch in the “FOR-REV” position to reverse. Push the momentary “ON” switch and hold the button until the sealant blocks are removed.
4	Unload autoloader belt completely; replace the locking pin in the loading door.
5	Push the emergency switch “STOP” button in at the end of the day of operation.

### 5.5 Storing the Machine

The Autoloader and melter should be stored in an area where moisture cannot damage the electrical wiring and where the unit itself will not be damaged. If your melter with the Autoloader is not to be used for some time, it should be stored in a dry and protected place.

### 5.6 Instructions for Ordering Parts

Crafcro distributors and Crafcro Pavement Preservation Supply Centers are strategically located throughout the United States. Parts can be ordered from your local Crafcro distributor or directly from Crafcro, Inc. if a distributor is not available in your area.

When ordering parts, give the following information:

- Part Number
- Machine Model
- Serial Number

Write, call, or Fax Crafcro, Inc. at the following:

Crafcro, Inc. Headquarters  
 6165 W Detroit,  
 Chandler, AZ 85226-2601  
 Phone: (602) 276-0406  
 Toll Free: (800) 528-8242  
 Fax: (480) 961-0513

Visit our website at [www.crafcro.com](http://www.crafcro.com)



# Autoloader Part Manual

## Chapter 5 Operating Instructions

## Chapter 6 Maintenance

### 6.0 Service and Maintenance Instructions

1. Conduct a general inspection of the Autoloader daily. Replace all worn or damaged parts, make any necessary adjustments, and tighten all loose nuts or screws.
2. Keep regular replacement items in stock for emergency repairs to avoid costly “down” time.
3. Keep exterior of Autoloader clean using a suitable solvent.
4. Follow “Recommended Maintenance Procedures: on Maintenance Chart.
5. Watch for hydraulic leaks. Tighten fittings or repair as necessary.
6. Clean external of machine periodically. Check with sealant manufacturer for recommendation.

### 6.1 Maintenance Chart

**Table 6-1 Maintenance Chart**

LOCATION	PROCEDURE	HOURS			
		8	50	100	500
Autoloader Section	Inspect and tighten if necessary, replace broken or damaged bolts and nuts.	X	X	X	
Flange Bolts	Inspect and tighten if necessary, replace broken or damaged bolts and nuts.		X	X	X
Wiring	Inspect and replace or repair if necessary.			X	X
Support Legs	Inspect and tighten if necessary, replace broken or damaged bolts and nuts.	X	X	X	X
Hydraulic Solenoid	Inspect and tighten if necessary, replace broken or damaged hoses.			X	X
Chain	Inspect and tighten chain by removing the chain guard.			X	X

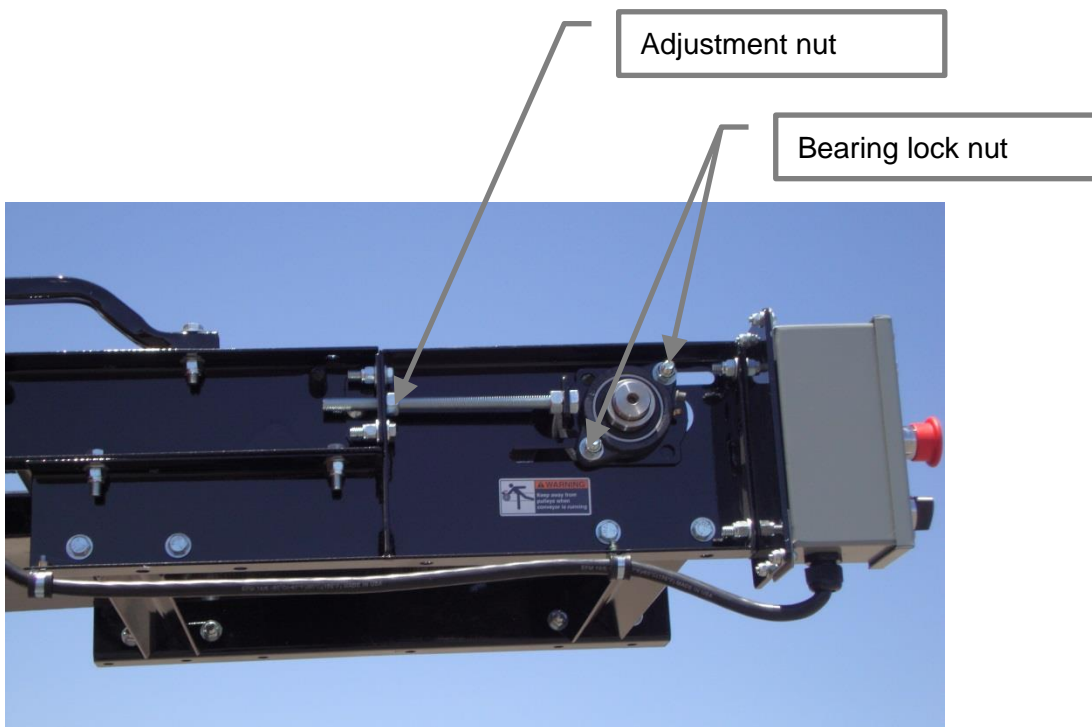


## Chapter 6 Maintenance

### 6.2 Belt Tracking Adjustments

The Autoloader conveyor has two 4" diameter crowned rollers one on each end, these work to keep the belt centered, but from time to time an adjustment maybe needed, follow the step below to make the adjustment.

1. When you notice the belt not centered, note which side the belt is moving towards, Loosen both bolts and nuts of the bearing locking the roller into place then tighten the take up side that the belt was moving toward.
2. Make small adjustments, Crafcoc recommends one complete turn on the adjustment nut. Then let the belt run a few minutes the belt should center itself, If not repeat the process until it does.
3. Then tighten the bearing bolts and nuts.



**Figure 6.1 Belt Tracking Adjustment**

## Chapter 7 How to Use a Multimeter

### 7.0 How to Use a Multimeter

Melters use 12-volt direct current (DC) to power the burner, hydraulic valves, and trigger on electric wand. The DC power is from a 12-volt battery.

The electric hose and wand uses 24-volt 3-phase alternating current (AC). The AC power is from the generator which hangs under the radiator. This system has no reference to ground so there is no possibility of electrical shock unless you are between 2 of the phases. **NOTE: ONLY CHECK AMPERAGE ON A HOSE WITH A CLAMP-ON AMP METER.**

12-volt DC power has little danger of electrical shock. Care must still be taken when dealing with DC power systems because it is capable of producing large amounts of current.

### 7.1 Checking DC Voltage with a Multimeter

Connect the probes to the meter.

Set the range to a position that includes 12-volts or higher.

Touch the red probe to the positive side of accessory and black probe to ground. If the item you are checking has a ground wire attached then use that ground or you can use a non-painted surface on the frame.

### 7.2 Checking AC Voltage with Multimeter

Connect the probes to the meter (See [Figure 7.1 Standard Multimeter](#)).

Set range to a position that includes 24-volts or higher.

There are three steps to test the generator voltage. All 3 values should be in the range of 24-30 volts AC.

- Touch red probe to the white wire of the generator and the black probe to the green wire of the generator.
- Next move black probe to black wire.
- Then move red probe to green wire.

### 7.3 Checking Resistance (Ohms)

Connect probes to the meter (See [Figure 7.2 Clamp – On Amp Meter/Multimeter](#)).

**Note:** When checking Ohms the circuit cannot be completed. This means one end of the wire will need to be disconnected.

#### 7.3.1 How to Check Wire Continuity

Set the meter to “Audible Continuity”.

Now touch the probe to each end of the wire in question. The meter will read “0” on the screen and make an audible beep if the wire has continuity from end to end.

#### 7.3.2 How to Check RTD Sensor

Set dial to Ohms  $\Omega$ . If your meter has different ranges set to 2K or 2000 ohm range.

Touch one probe to each screw or wire of the sensor. The meter will read X.XX if in the 2K range or XXX.X if in the 2000 range.

**Chapter 7 How to Use a Multimeter**

**7.4 Checking Amperage**

The Multimeter can be used to check amperages under 10 amps in AC or DC current.

When checking the amperage of the electric hose **always use a clamp-on amp meter**. The amperage in the hose can reach as high as 35 amps.

Clamp the meter around one wire at a time. Remember most clamp-on meters do not work on DC current.



**Figure 7.1 Standard Multimeter**

## Chapter 7 How to Use a Multimeter

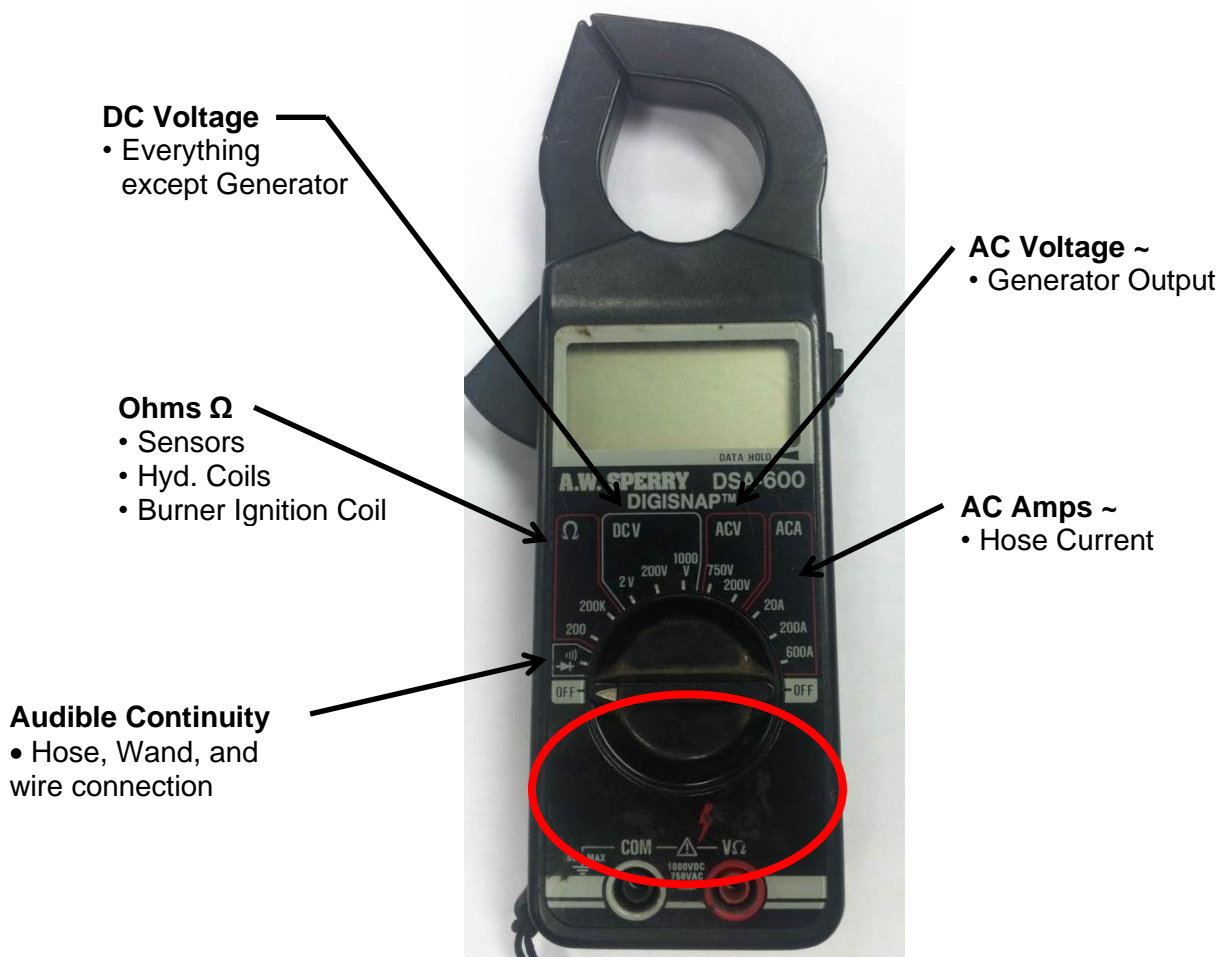


Figure 7.2 Clamp – On Amp Meter/Multimeter



## Chapter 8 Troubleshooting

### 8.0 Troubleshooting

#### 8.0.1. Symptoms: Conveyor Belt Will Not Move

### 8.1 Basic Visual Troubleshooting

**Table 8-1 Basic Visual Troubleshooting**

Step	Possible Cause	If . . .
1	Is the “Emergency Stop” button pulled out on both button boxes?	<ul style="list-style-type: none"> <li>• Yes, go to Step 2.</li> <li>• No, pull the “Emergency Stop” button out.</li> </ul>
2	Locate the hydraulic valve for the conveyor under the conveyor near the machine, when someone else pushes the green “ON” button does one of the two amber light turn “ON” on the din plugs attached to the hydraulic coils?	<ul style="list-style-type: none"> <li>• Yes, go to <a href="#">Table 8-4 Conveyor Hydraulic Troubleshooting</a> Step 1.</li> <li>• No, go to Step 3.</li> </ul>
3	Follow the electrical wire from the conveyor hydraulic manifold and follow the back to the main hydraulic manifold and toggle switch, checking for any damage in the wiring?	<ul style="list-style-type: none"> <li>• Yes, repair or replace the damaged wiring harness.</li> <li>• No, go to Step 4.</li> </ul>
4	Follow the electrical wire from the conveyor hydraulic manifold and follow them forward to both button boxes and then down to the power source, checking for any damage in the wiring?	<ul style="list-style-type: none"> <li>• Yes, repair or replace the damaged wiring harness.</li> <li>• No, go to step 5.</li> </ul>
5	Remove the chain guard to inspect the chain; is it in good working condition?	<ul style="list-style-type: none"> <li>• Yes, go to <a href="#">Table 8-2 Conveyor Electrical Troubleshooting</a> Step 1.</li> <li>• No, make the necessary adjustments, tighten the chain, and make sure the sprockets set screws are tight, or replace the chain if worn out.</li> </ul>

## Chapter 8 Troubleshooting

### 8.2 Conveyor Electrical Troubleshooting

**Table 8-2 Conveyor Electrical Troubleshooting**

Step	Possible Cause	If . . .
1	Using a Multimeter to check for 12 Volts DC at the source of the conveyor power cable, the “Black” ground wire is located at the base of the battery box ground stud and the “White” positive wire is located on the circuit breaker under the battery box, is there 12 Volts DC between the two wires?	<ul style="list-style-type: none"> <li>• Yes, go to Step 2.</li> <li>• No, check both wire crimped connectors for a loose crimp or corrosion repair as needed.</li> </ul>
2	Open the front cover to the button box located on the upright “H” stand is there 12 Volts DC between the “White” wire on the emergency stop contact block and the relay post marked “85” “Blue” wire?	<ul style="list-style-type: none"> <li>• Yes, go to Step 3.</li> <li>• No, check the wire harness between the button box and the power source for damage repair as needed.</li> </ul>
3	Is there 12 Volts DC between the emergency stop contact block “Green” wire and the relay post marked “85” “Blue” wire?	<ul style="list-style-type: none"> <li>• Yes, go to Step 4.</li> <li>• No, make sure the emergency stop button is pulled out, if so replace the contact.</li> </ul>
4	Is there 12 Volts DC between the “On” contact block “Brown” wire and the relay post marked “85” “Blue” wire?	<ul style="list-style-type: none"> <li>• Yes, go to Step 5.</li> <li>• No, go to Step 6.</li> </ul>
5	Is there 12 Volts DC between the “On” contact block “Yellow” wire and the relay post marked “85” “Blue” wire when the “On” button is pressed?	<ul style="list-style-type: none"> <li>• Yes, go to Step 6.</li> <li>• No, replace the contact.</li> </ul>
6	Move to button box at the end of the conveyor “Operator’s Position” and open the front cover. Is there 12 Volts DC between the emergency stop contact block “Green” wire and unpainted bolt attaching the button box to the conveyor?	<ul style="list-style-type: none"> <li>• Yes, go to Step 7.</li> <li>• No check the wire harness between the two button boxes for damage repair as needed.</li> </ul>
7	Is there 12 Volts DC between the emergency stop contact block “Brown” wire and unpainted bolt attaching the button box to the conveyor?	<ul style="list-style-type: none"> <li>• Yes, go to Step 8.</li> <li>• No, make sure the emergency stop button is pulled out, if so replace the contact.</li> </ul>



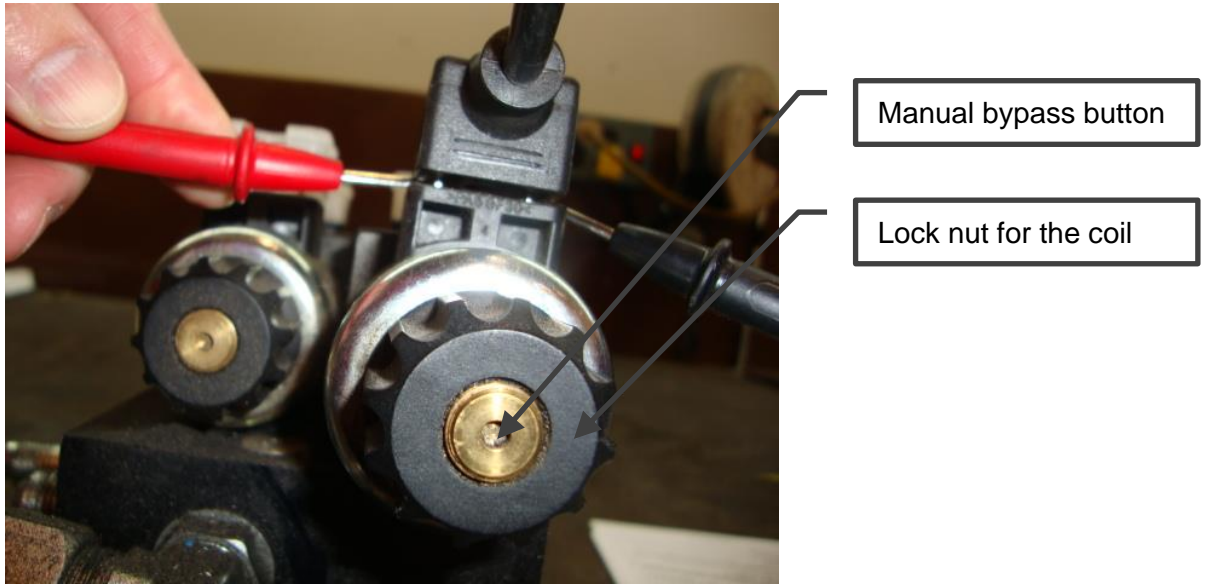
## Chapter 8 Troubleshooting

### 8.3 Conveyor Electrical Troubleshooting Continued

**Table 8-3 Conveyor Electrical Troubleshooting Continued**

Step	Possible Cause	If . . .
8	Is there 12 Volts DC between the “On” contact block “Brown” wire and unpainted bolt attaching the button box to the conveyor?	<ul style="list-style-type: none"> <li>• Yes, go to Step 9.</li> <li>• No, check the brown wire at both ends for a loose connection or broken wire.</li> </ul>
9	Is there 12 Volts DC between the “On” contact block “Yellow” wire and unpainted bolt attaching the button box to the conveyor when the “On” button is pressed?	<ul style="list-style-type: none"> <li>• Yes, go to Step 10.</li> <li>• No, replace the contact.</li> </ul>
10	Is there 12 Volts DC between the “FOR-REV” contact block “Yellow” wire (right side of the contact) and unpainted bolt attaching the button box to the conveyor when the “On” button is pressed?	<ul style="list-style-type: none"> <li>• Yes, go to Step 11.</li> <li>• No, check the yellow wire at both ends for a loose connection or broken wire.</li> </ul>
11	Is there 12 Volts DC between the “FOR-REV” contact block “Yellow” wire (left side of the contact) and unpainted bolt attaching the button box to the conveyor when the “On” button is pressed?	<ul style="list-style-type: none"> <li>• Yes, go to Step 12.</li> <li>• No, check the jumper yellow wire at both ends for a loose connection or broken wire.</li> </ul>
12	Is there 12 Volts DC between the “FOR-REV” contact block “Black” wire (right side of the contact) and unpainted bolt attaching the button box to the conveyor when the “On” button is pressed and the switch is in the forward position?	<ul style="list-style-type: none"> <li>• Yes, go to Step 13.</li> <li>• No, make sure the switch is in the forward position; if so then replace the contact.</li> </ul>
13	Is there 12 Volts DC between the “FOR-REV” contact block “White” wire (left side of the contact) and unpainted bolt attaching the button box to the conveyor when the “On” button is pressed and the switch is in the reverse position?	<ul style="list-style-type: none"> <li>• Yes, go to Step 14.</li> <li>• No, make sure the switch is in the reverse position; if so then replace the contact.</li> </ul>
14	Is there 12 Volts DC at either of the conveyor hydraulic coil, located under the conveyor near the material tank, when the “On” button is pressed? See <a href="#">Figure 8.1 Electrical Troubleshooting</a>	<ul style="list-style-type: none"> <li>• Yes, go to <a href="#">Table 8-4 Conveyor Hydraulic Troubleshooting</a> Step 1.</li> <li>• No, call Crafcro, Inc. and speak to customer service technician.</li> </ul>

**Chapter 8 Troubleshooting**



**Figure 8.1 Electrical Troubleshooting**

## Chapter 8 Troubleshooting

### 8.4 Conveyor hydraulic Troubleshooting

**Table 8-4 Conveyor Hydraulic Troubleshooting**

Step	Possible Cause	If . . .
1	<p>Once you have determined that the problem is not electrical, use the manually bypass to see if the conveyor belt will move. When you push in the center of the end of the hydraulic coil, does the conveyor belt move?</p> <p>See <a href="#">Figure 8.1 Electrical Troubleshooting</a></p>	<ul style="list-style-type: none"> <li>• Yes, go to Step 2.</li> <li>• No, the button is tough to completely depress so move to Step 2.</li> </ul>
2	<p>Remove one of the coils by unscrewing the black knob on the end of the coil. While the din plug is still connected to the coil place a metal screw driver in the center opening where the cartridge would normally be, when the “On” button is pressed the screw driver should be pulled to the side by the magnetic coil, was it?</p>	<ul style="list-style-type: none"> <li>• Yes, go to Step 3.</li> <li>• No, the coil needs to be replaced but go to Step 3 for one more test first.</li> </ul>
3	<p>Remove the din plug and check for Ohms with a meter, checking between the two side posts of the coil you should get a reading of 4.4 ohms?</p>	<ul style="list-style-type: none"> <li>• Yes, go to Step 4.</li> <li>• No, replace the coil.</li> </ul>
4	<p>Remove the cartridge from the manifold, reinstall the coil and din plug on the cartridge you removed. Apply 12 Volts DC while looking in the center of the cartridge. There will be a shuttle that moves when voltage is applied and released. Do you see the shuttle moving?</p>	<ul style="list-style-type: none"> <li>• Yes, go to Step 5.</li> <li>• No, replace the cartridge.</li> </ul>
5	<p>If the bad component was not identified during the above steps the hydraulic manifold needs to be replaced. Most of the time a component is all you need to replace, so if you have any questions about the above steps, please contact CrafcO, Inc.</p>	<ul style="list-style-type: none"> <li>• Call CrafcO, Inc. and speak to a customer service technician.</li> </ul>



## Chapter 9 Illustrated Parts List

### 9.0 About the Illustrated Parts List

The Illustrated Parts List (IPL) is designed to help technical service or maintenance personnel correctly identify orderable replacement parts.

The figure and table titles reference the part number (PN) to which they apply. The PN's for each of the Autoloader kits are as follows:

Super Shot 125 Diesel Melter PN 51177

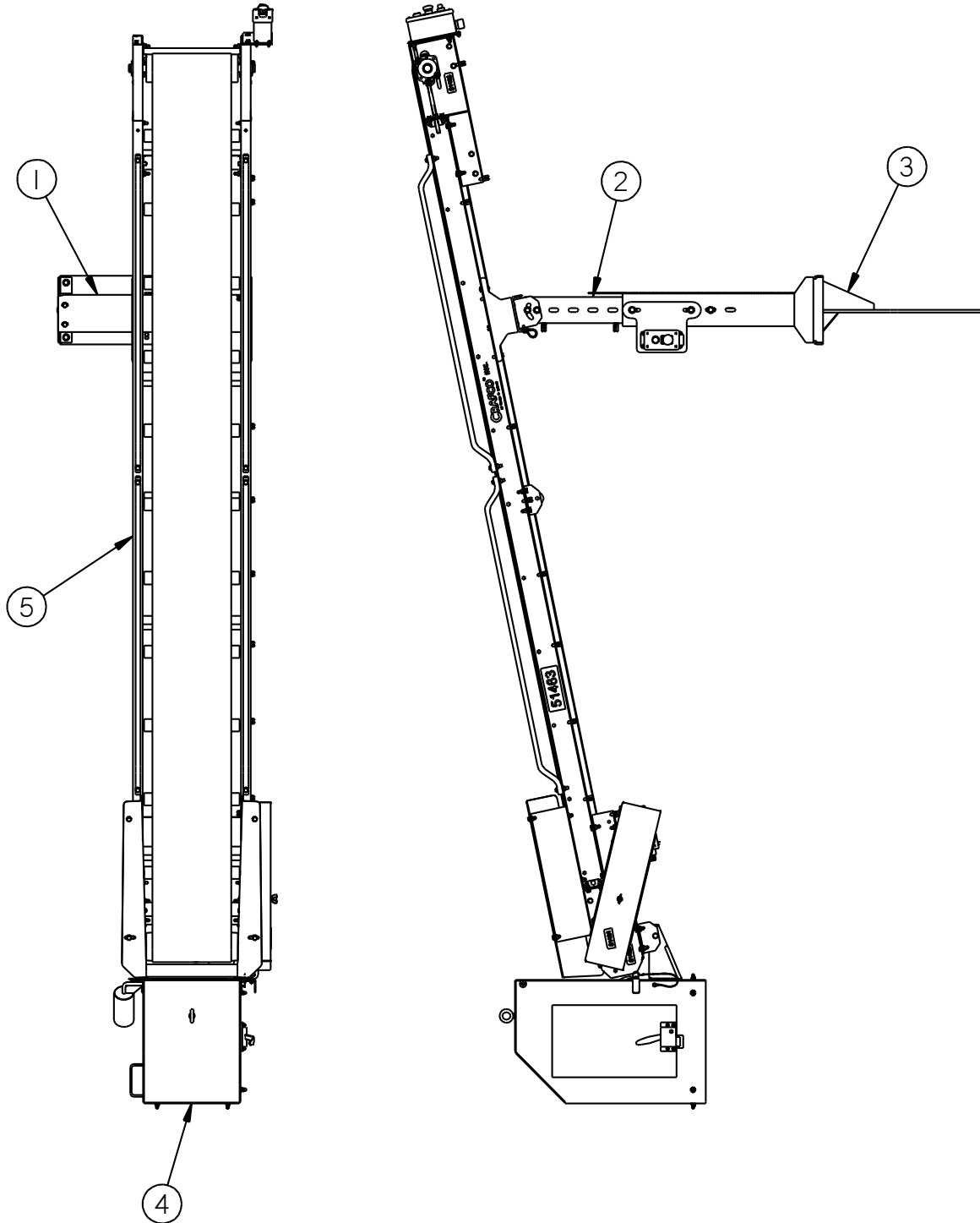
EZ500 Series II Diesel Melter (All Models) and Super Shot 125 Diesel Compressor PN 51318

Super Shot 250 Diesel Melter (All Models), EZ1000 Series II Diesel Melter (All Models) and EZ1500 Series II Diesel Melter (All Models) PN 51399

Illustrations are designed to show general shape and size of a part and the relationship that part has to other parts. Actual size and shape of parts or components may differ or vary from the actual part or component.

## Chapter 9 Illustrated Parts List

### 9.1 51177 Super Shot 125 Diesel Melter Autoloader Kit



**Figure 9.1 51177 Super Shot 125 Diesel Melter Autoloader Kit**

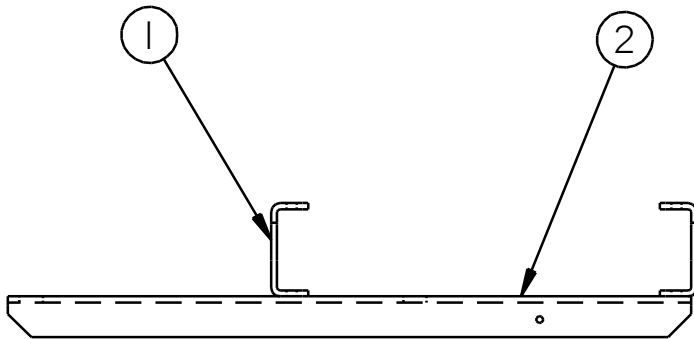
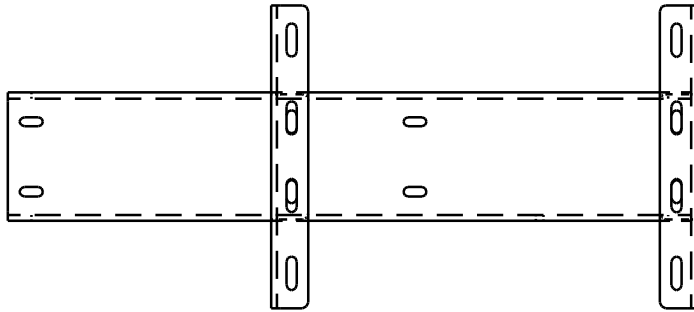
## Chapter 9 Illustrated Parts List

**Table 9-1 51177 Super Shot 125 Diesel Melter Autoloader Kit**

FIG.	ITEM	PART NO.	DESCRIPTION	QTY.
Figure 9.1	1	51302	TOP SUPPORT- CROSS OVER ASSEMBLY	1
	2	51113	HEAVY DUTY STRUCTURE SUPPORT	1
	3	51253	FRONT LEG SUPPORT MOUNTING PLATE ASSY	1
	4	51320	SPLASH BOX WELD ASSEMBLY	1
	5	51441	10' CONVEYOR ASSEMBLY	1
	NS	26604	ELECTRICAL SCHEMATIC	1
	NS	26693	HYDRAULIC SCHEMATIC	1

**Chapter 9 Illustrated Parts List**

**9.2 51302 Top Support-Cross Over Assembly**



**Figure 9.2 51302 Top Support-Cross Over Assembly**

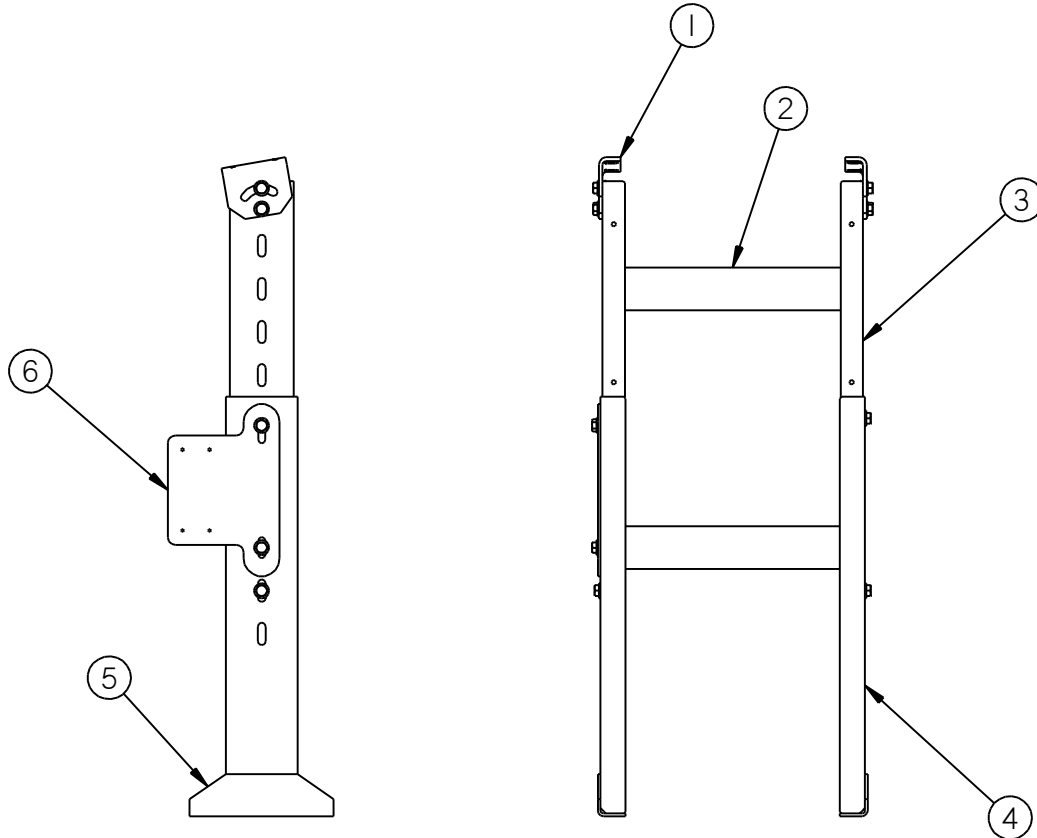
**Table 9-2 51302 Top Support-Cross Over Assembly**

FIG.	ITEM	PART NO.	DESCRIPTION	QTY.
Figure 9.2	1	51251	SUPPORT TOP BRACE CHANNEL	2
	2	51303	FRONT MOUNT LEG SUPPORT	1



**Chapter 9 Illustrated Parts List**

**9.3 51113 Heavy Duty Structure Support**



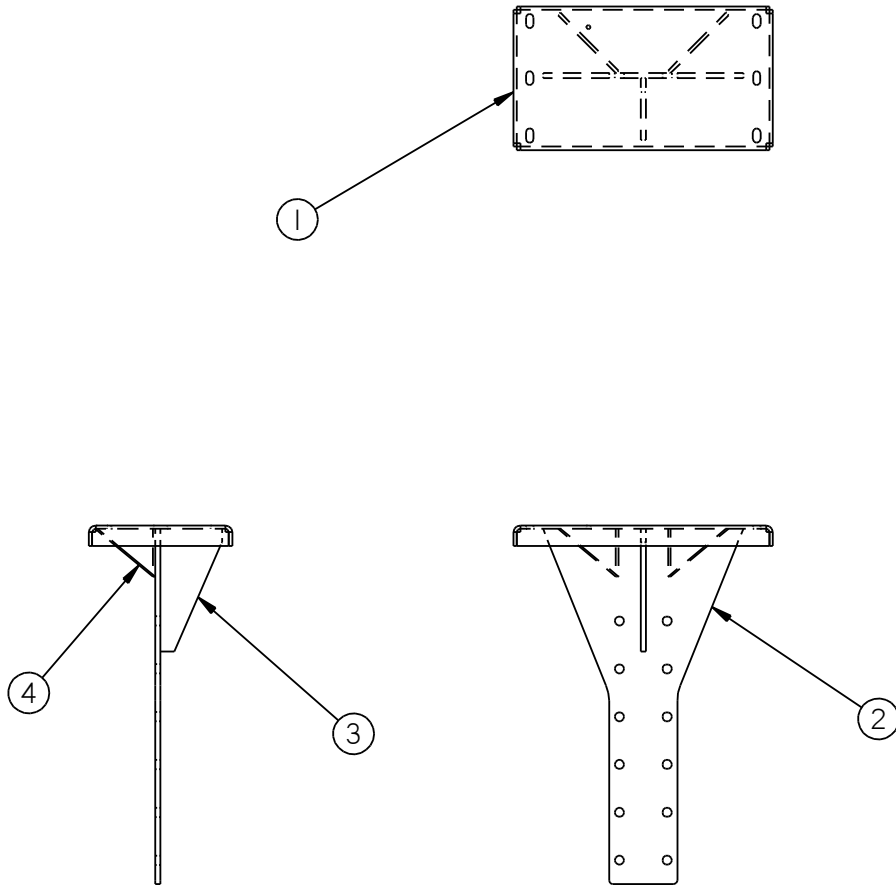
**Figure 9.3 51113 Heavy Duty Structure Support**

**Table 9-3 51113 Heavy Duty Structure Support**

FIG.	ITEM	PART NO.	DESCRIPTION	QTY.
Figure 9.3	1	51435	SWIVEL MOUNTING BRACKET	2
	2	51434	CROSS SUPPORT CHANNEL	2
	3	51436	INNER LEG	2
	4	51432	OUTER LEG	2
	5	51431	MOUNTING FOOT	2
	6	51269	MOUNTING PLATE, OPERATORS BOX	1

**Chapter 9 Illustrated Parts List**

**9.4 51253 Front Leg Support Mounting Plate Assembly**



**Figure 9.4 51253 Front Leg Support Mounting Plate Assembly**

**Table 9-4 51253 Front Leg Support Mounting Plate Assembly**

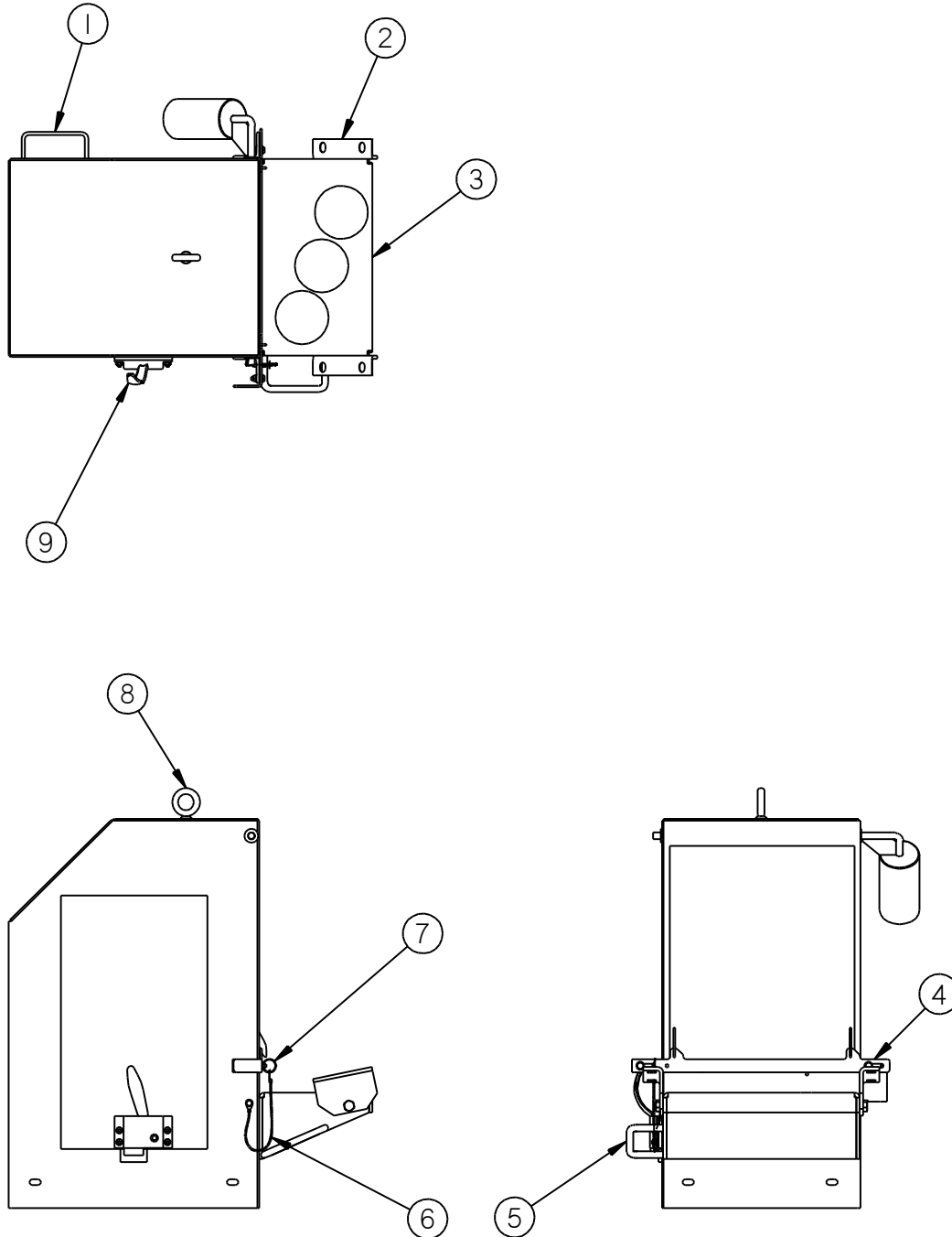
FIG.	ITEM	PART NO.	DESCRIPTION	QTY.
Figure 9.4	1	51252	TOP SUPPORT MOUNTING PLATE	1
	2	51239	FRONT LEG SUPPORT HITCH PLATE	1
	3	51810	SUPPORT GUSSET STAND	1
	4	51248	GUSSET BRACE	2

**Chapter 9 Illustrated Parts List**

This page left blank intentionally

**Chapter 9 Illustrated Parts List**

**9.5 51320 Splash Box Welded Assembly**



**Figure 9.5 51320 Splash Box Welded Assembly**

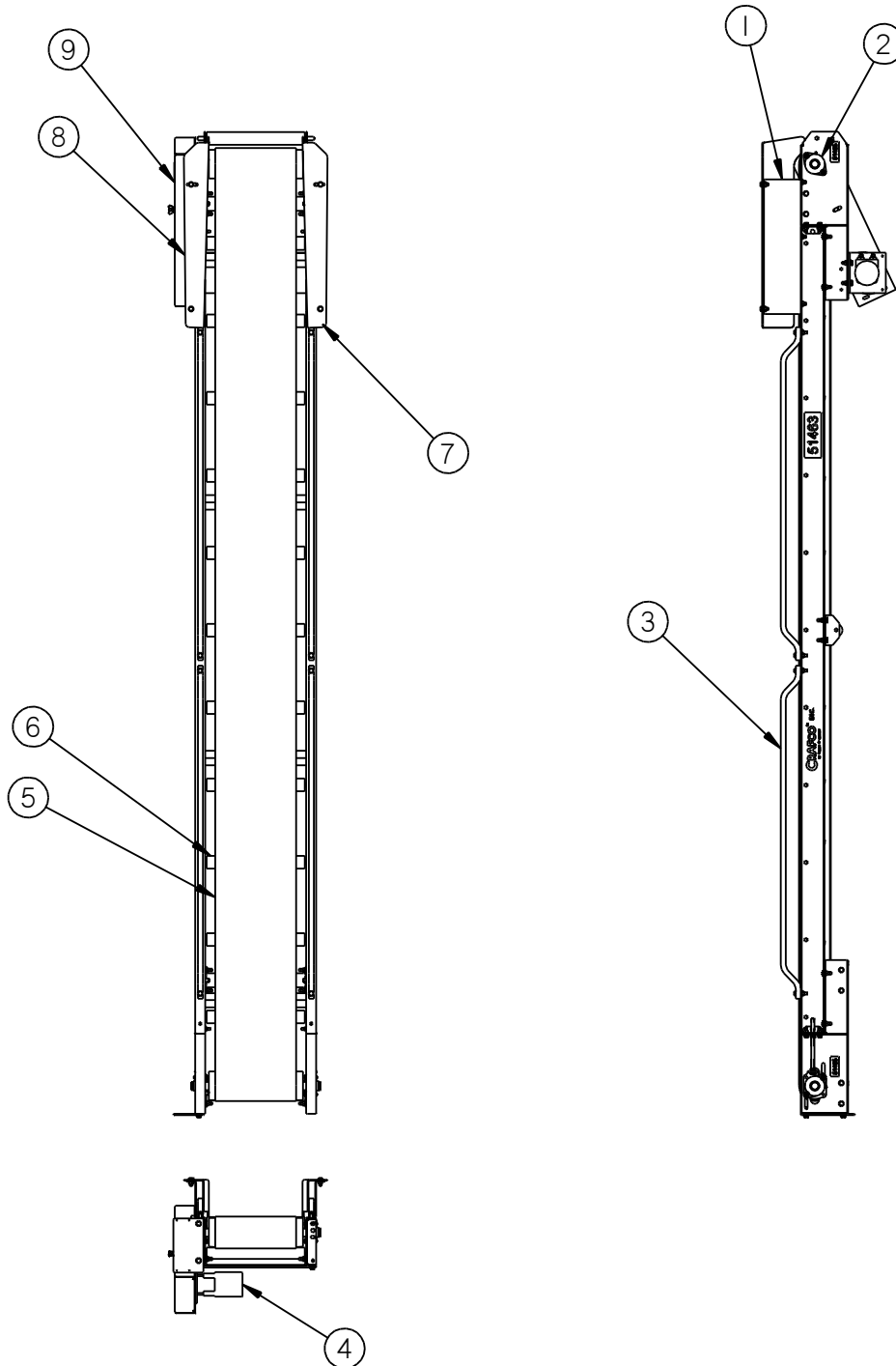
## Chapter 9 Illustrated Parts List

**Table 9-5 51320 Splash Box Welded Assembly**

FIG.	ITEM	PART NO.	DESCRIPTION	QTY.
Figure 9.5	1	51387	STROBE LIGHT MOUNTING BRACKET	1
	2	51265	CONVEYOR MOUNTING BASE BRACKET	2
	3	51288	CONVEYOR BASE ANTI SPLASH BOX	1
	4	51940N	SLIDE LOCK - SPLASH BOX - PS	1
	5	21292	HANDLE	1
	6	44157	PIN ATTACHMENT CABLE	1
	7	26103	1/4 X .5 GRIP QUICK REL. PIN	1
	8	26113	BOLT, THREADED EYE	1
	9	51278	LATCH, HEAVY DUTY	1

## Chapter 9 Illustrated Parts List

### 9.6 51441 10' Conveyor Assembly



**Figure 9.6 51441 10' Conveyor Assembly**

## Chapter 9 Illustrated Parts List

FIG.	ITEM	PART NO.	DESCRIPTION	QTY.
Figure 9.6	1	51473	GUIDE MOUNTING BRACKET	2
	2	51449	2 BOLT FLANGE BEARING	4
	3	51474	10' CONVEYOR HAND RAIL	4
	4	22027	HYDRAULIC MOTOR	1
	5	51457	10' CONVEYOR BELT	1
	6	51103	ROLLER, CONVEYOR	13
	7	51472	CONVEYOR BLOCK GUIDE – LH	1
	8	51471	CONVEYOR BLOCK GUIDE – RH	1
	9	51455	CONVEYOR CHAIN GUARD FRONT	1
	NS	51452	CONVEYOR DRIVE CHAIN	1
	NS	50436	MASTER LINK #40 CHAIN	1

## Chapter 9 Illustrated Parts List

### 9.7 26604 Electrical Schematic Super Shot Autoloader Page 1

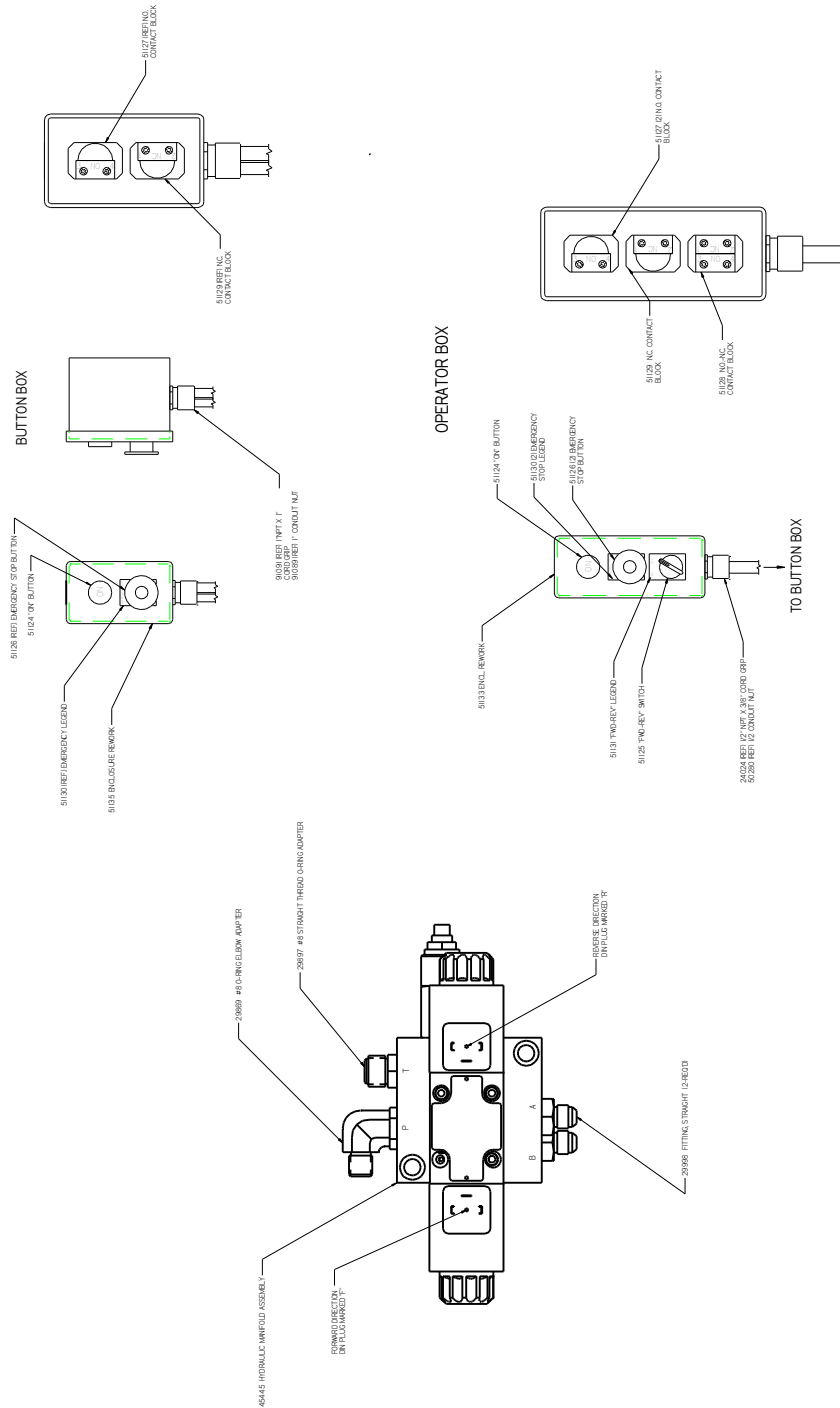


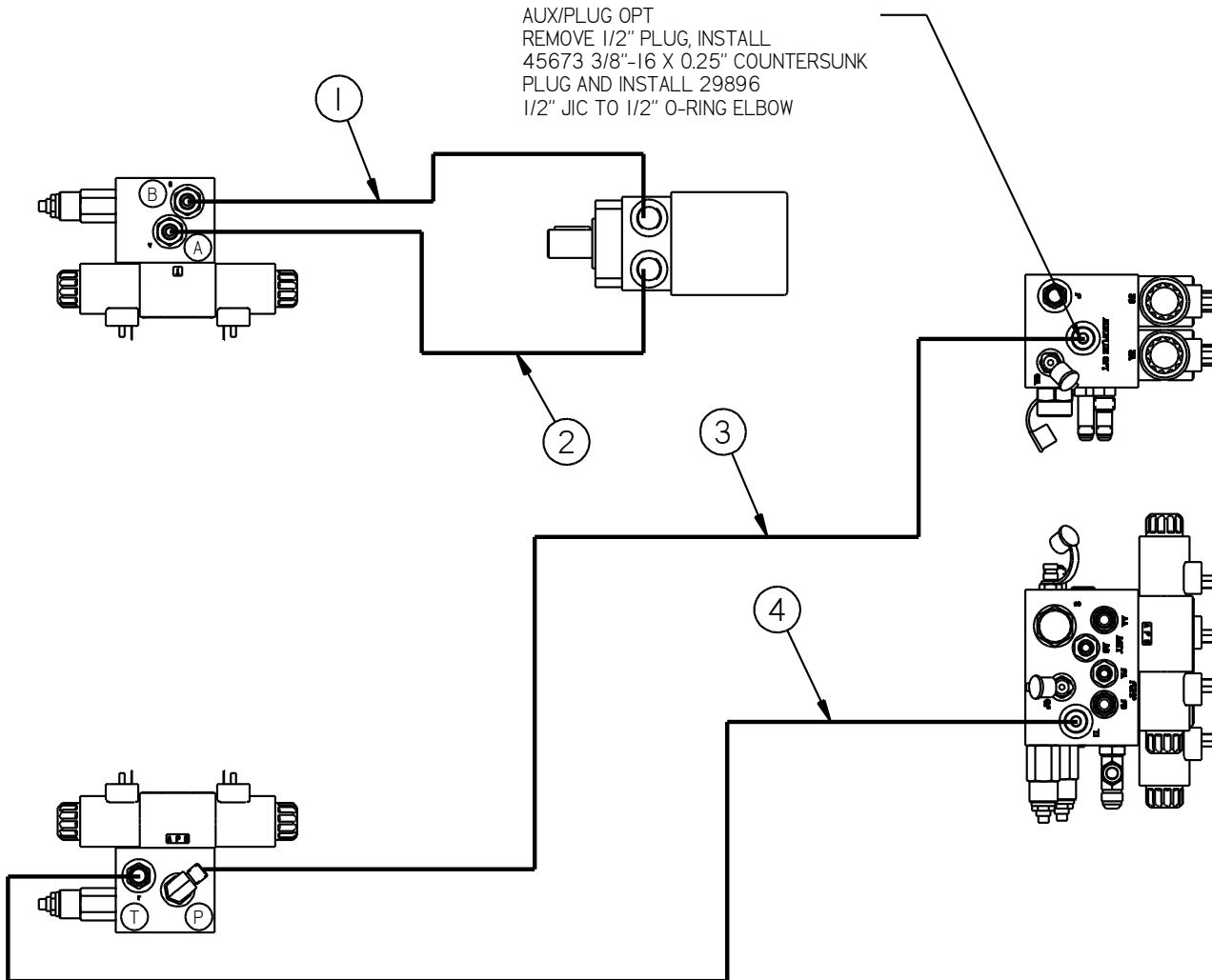
Figure 9.7 26604 Electrical Schematic Super Shot Autoloader Page 1





**Chapter 9 Illustrated Parts List**

**9.9 26693 Hydraulic Schematic Super Shot Autoloader**



**Figure 9.9 26693 Hydraulic Schematic Super Shot Autoloader**

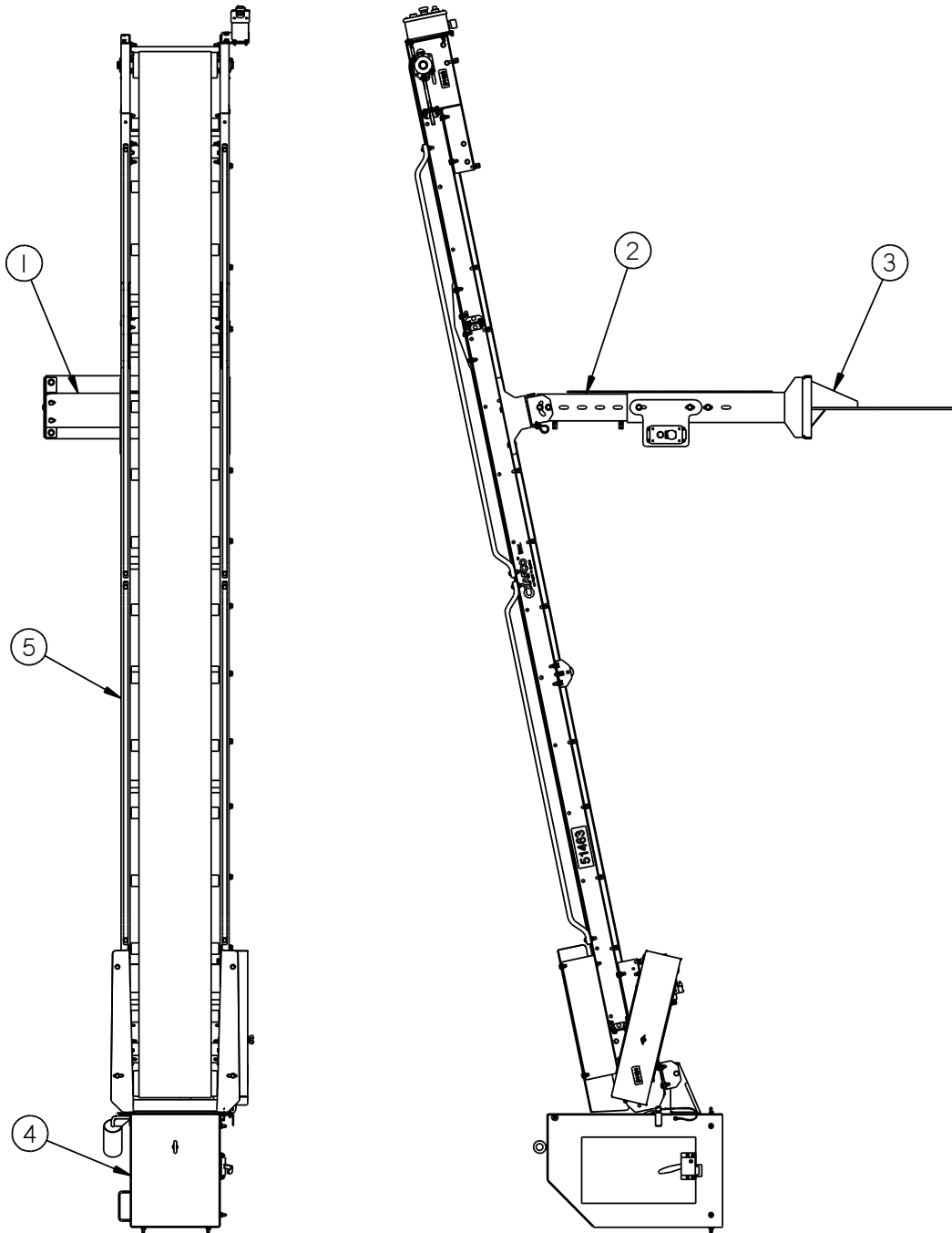
## Chapter 9 Illustrated Parts List

Table 9-6 26693 Hydraulic Schematic Super Shot Autoloader

FIG.	ITEM	PART NO.	DESCRIPTION	QTY
Figure 9.9	<b>1</b>	<b>CONVEYOR VALVE PORT "B" TO CONVEYOR MOTOR TOP PORT</b>		
		29998	FITTING, #8 ORB X #6 JIC STR.	1
		6M3K 6G-6FJX 6G-6FJX90S 21	HYDRAULIC HOSE	1
		22029	FITTING, #10 ORB X #6 JIC STR.	1
	<b>2</b>	<b>CONVEYOR VALVE PORT "A" TO CONVEYOR MOTOR BOTTOM PORT</b>		
		29998	FITTING, #8 ORB X #6 JIC STR.	1
		6M3K 6G-6FJX 6G-6FJX90S 21	HYDRAULIC HOSE	1
		22029	FITTING, #10 ORB X #6 JIC STR.	1
	<b>3</b>	<b>HYDRAULIC VALVE "AUX" PORT TO CONVEYOR PORT "P"</b>		
		45673	3/8"-16 X 0.25" COUNTERSUNK PLUG	1
		29896	FITTING, #8 ORB X #8 JIC ELBOW	1
		6M3K 6G-8FJX 6G-6FJX 71	HYDRAULIC HOSE	1
		29869	FITTING, #8 ORB X #6 JIC ELBOW	1
	<b>4</b>	<b>HYDRAULIC VALVE "Ti" PORT TO CONVEYOR VALVE PORT "T"</b>		
		29897	FITTING, #8 ORB X #8 JIC STR.	1
		8M3K 8G-8FJX 8G-8FJX90S 70	HYDRAULIC HOSE	1
		29897	FITTING, #8 ORB X #8 JIC STR.	1

## Chapter 9 Illustrated Parts List

### 9.10 51318 SS125 Diesel Compressor 100 CFM Melter Autoloader Kit



**Figure 9.10 51318 SS125 Diesel Compressor 100 CFM. Melter Autoloader Kit**

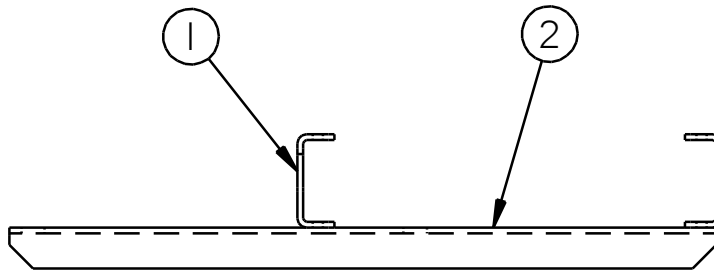
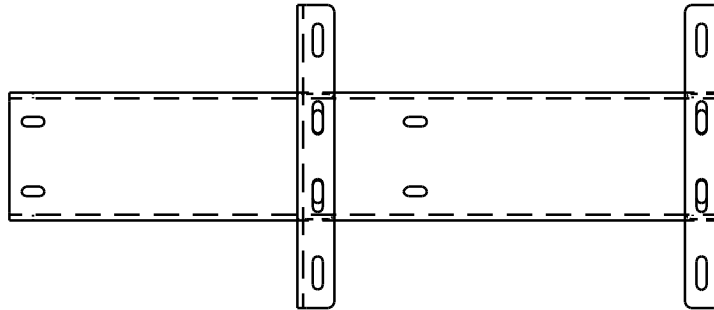
## Chapter 9 Illustrated Parts List

**Table 9-7 51318 SS125 Diesel Compressor 100 CFM. Melter Autoloader Kit**

FIG.	ITEM	PART NO.	DESCRIPTION	QTY.
Figure 9.10	1	51395	TOP SUPPORT- CROSS OVER ASSEMBLY	1
	2	51113	HEAVY DUTY STRUCTURE SUPPORT	1
	3	51253	FRONT LEG SUPPORT MOUNTING PLATE ASSY	1
	4	51320	SPLASH BOX WELD ASSEMBLY	1
	5	51430	10' CONVEYOR ASSEMBLY	1
	6	26604	ELECTRICAL SCHEMATIC (NOT SHOWN)	1
	7	26693	HYDRAULIC SCHEMATIC (NOT SHOWN)	1

**Chapter 9 Illustrated Parts List**

**9.11 51395 Top Support-Cross Over Assembly**



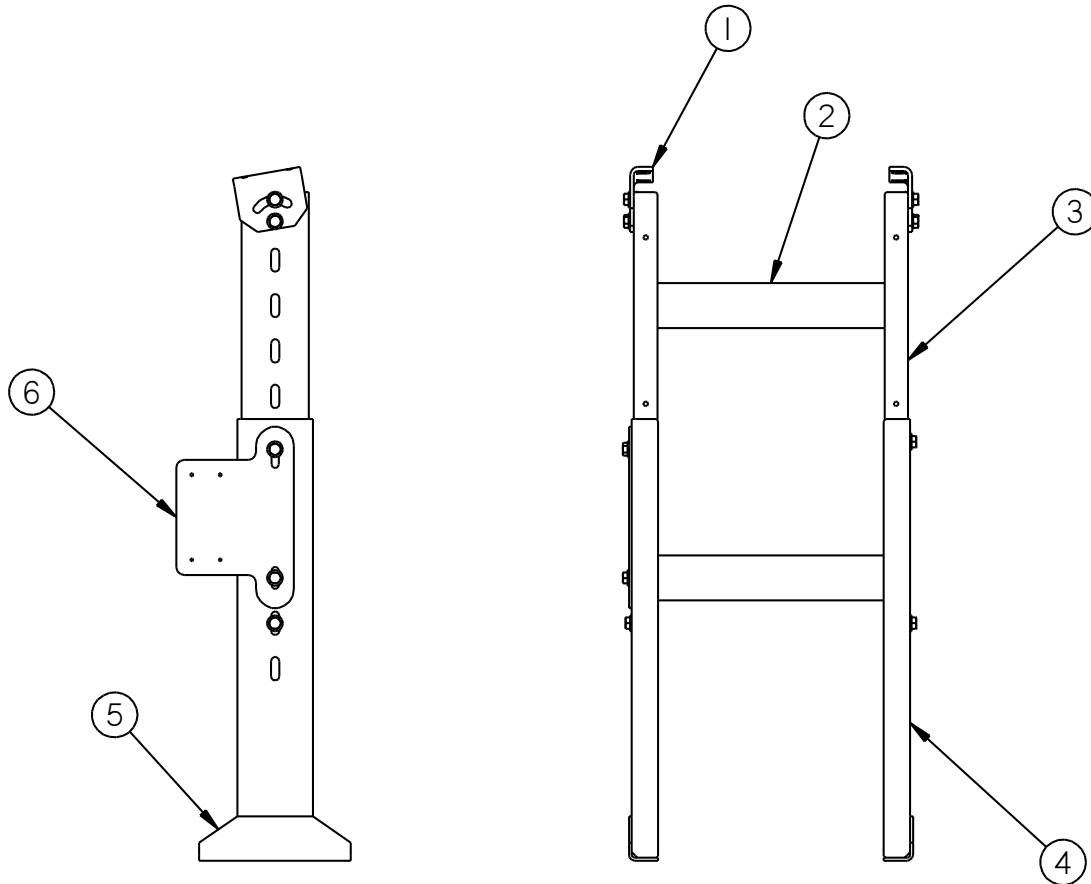
**Figure 9.11 51395 Top Support-Cross Over Assembly**

**Table 9-8 51395 Top Support-Cross Over Assembly**

FIG.	ITEM	PART NO.	DESCRIPTION	QTY.
Figure 9.11	1	51251	SUPPORT TOP BRACE CHANNEL	2
	2	51394	FRONT MOUNT LEG SUPPORT	1

**Chapter 9 Illustrated Parts List**

**9.12 51113 Heavy Duty Structure Support**



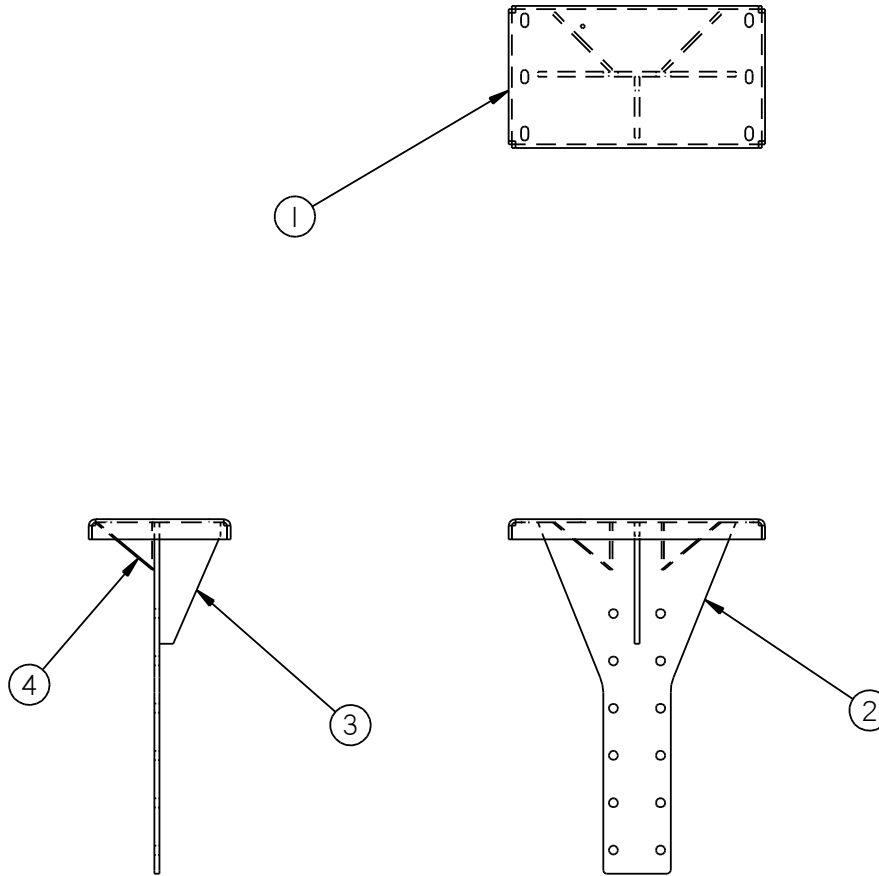
**Figure 9.12 51113 Heavy Duty Structure Support**

**Table 9-9 51113 Heavy Duty Structure Support**

FIG.	ITEM	PART NO.	DESCRIPTION	QTY.
Figure 9.12	1	51435	SWIVEL MOUNTING BRACKET	2
	2	51434	CROSS SUPPORT CHANNEL	2
	3	51436	INNER LEG	2
	4	51432	OUTER LEG	2
	5	51431	MOUNTING FOOT	2
	6	51269	MOUNTING PLATE, OPERATORS BOX	1

**Chapter 9 Illustrated Parts List**

**9.13 51253 Front Leg Support Mounting Plate Assembly**



**Figure 9.13 51253 Front Leg Support Mounting Plate Assembly**

**Table 9-10 51253 Front Leg Support Mounting Plate Assembly**

FIG.	ITEM	PART NO.	DESCRIPTION	QTY.
Figure 9.13	1	51252	TOP SUPPORT MOUNTING PLATE	1
	2	51239	FRONT LEG SUPPORT HITCH PLATE	1
	3	51810	SUPPORT GUSSET STAND	1
	4	51248	GUSSET BRACE	2

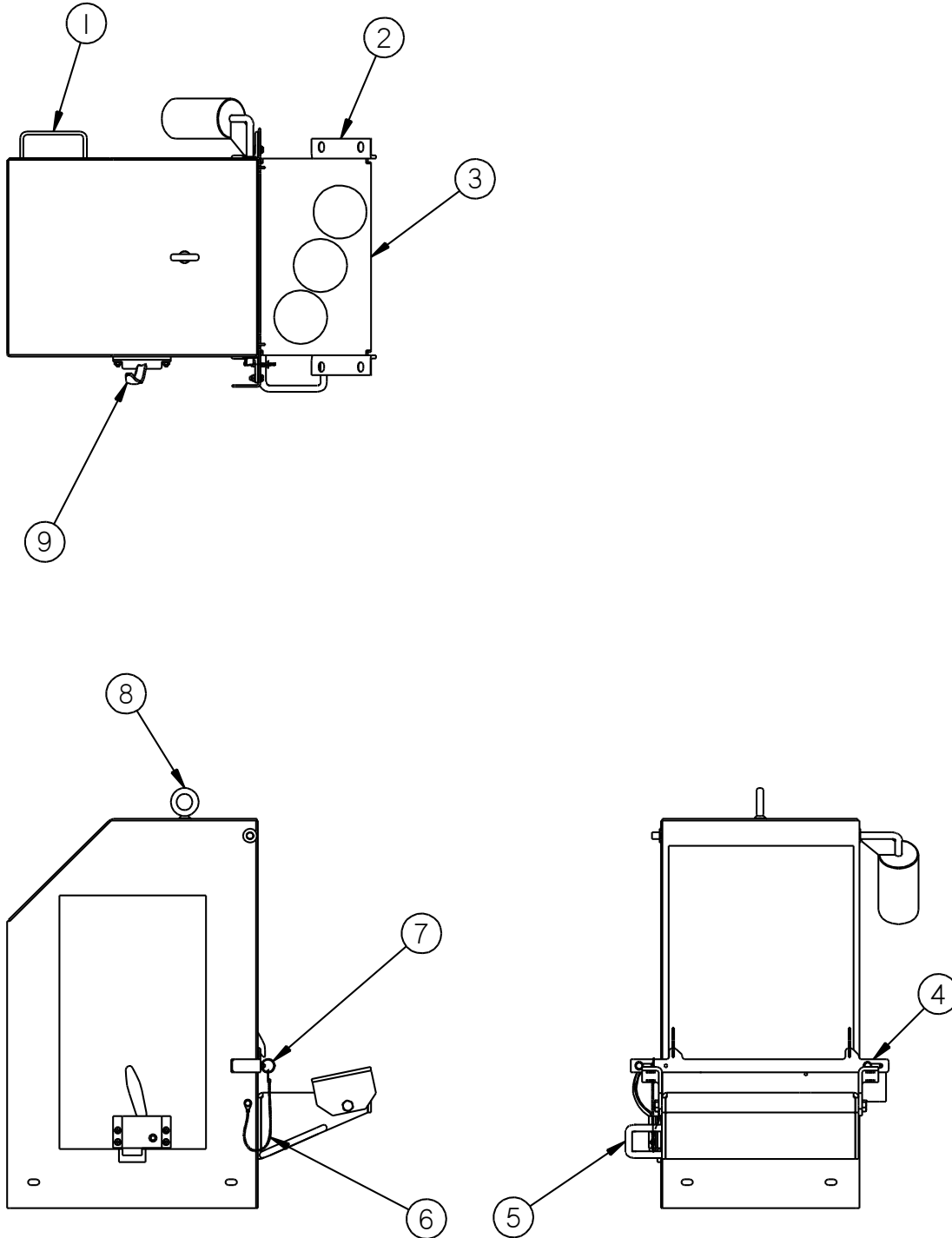


**Chapter 9 Illustrated Parts List**

This page left blank intentionally

**Chapter 9 Illustrated Parts List**

**9.14 51320 Splash Box Welded Assembly**



**Figure 9.14 51320 Splash Box Welded Assembly**

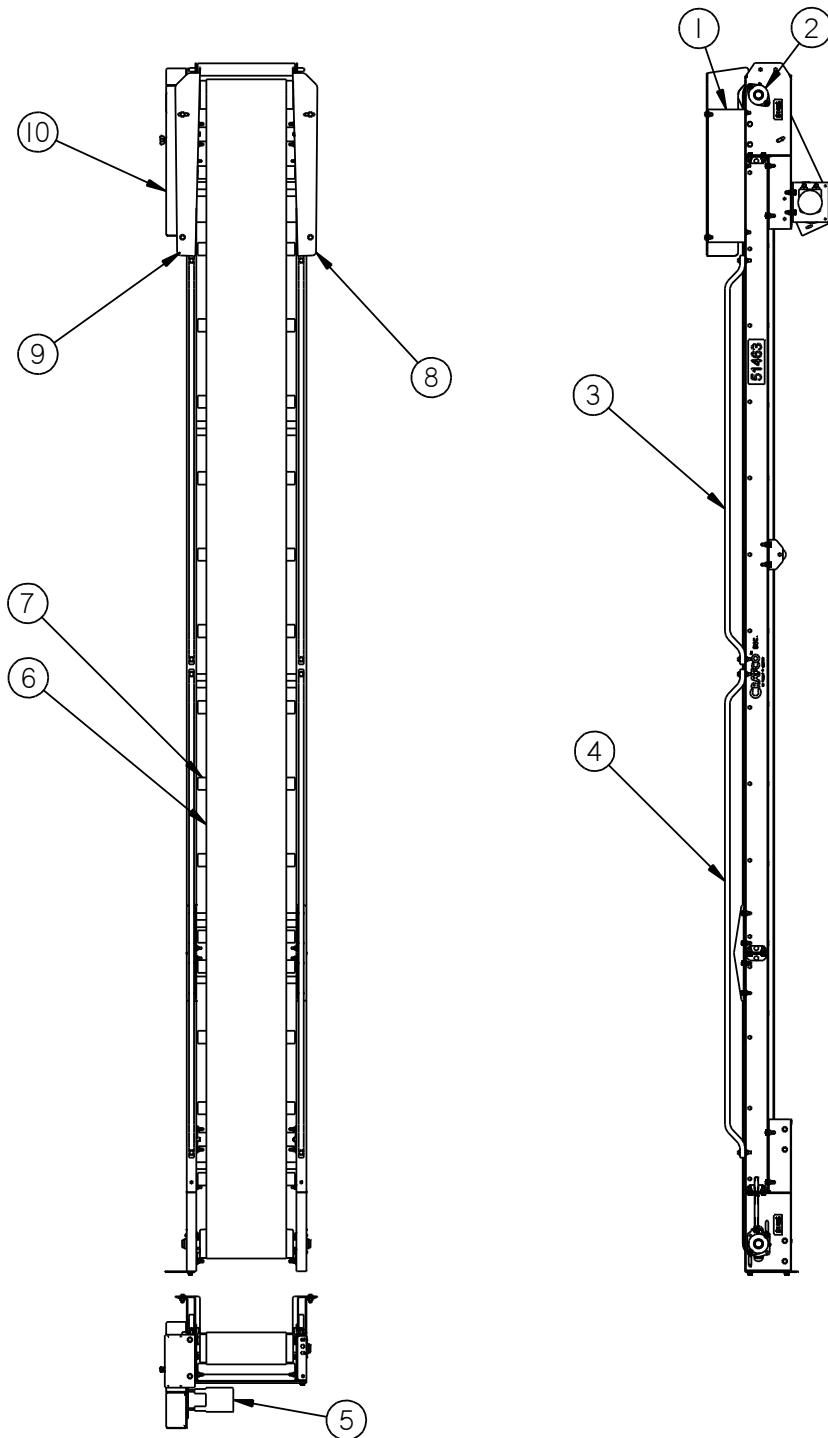
## Chapter 9 Illustrated Parts List

Table 9-11 51320 Splash Box Welded Assembly

FIG.	ITEM	PART NO.	DESCRIPTION	QTY.
Figure 9.14	1	51387	STROBE LIGHT MOUNTING BRACKET	1
	2	51265	CONVEYOR MOUNTING BASE BRACKET	2
	3	51288	CONVEYOR BASE ANTI SPLASH BOX	1
	4	51940N	SLIDE LOCK - SPLASH BOX - PS	1
	5	21292	HANDLE	1
	6	44157	PIN ATTACHMENT CABLE	1
	7	26103	1/4 X .5 GRIP QUICK REL. PIN	1
	8	26113	BOLT, THREADED EYE	1
	9	51278	LATCH, HEAVY DUTY	1

**Chapter 9 Illustrated Parts List**

**9.15 51430 13' Conveyor Assembly**



**Figure 9.15 51430 13' Conveyor Assembly**

## Chapter 9 Illustrated Parts List

Table 9-12 51430 13' Conveyor Assembly

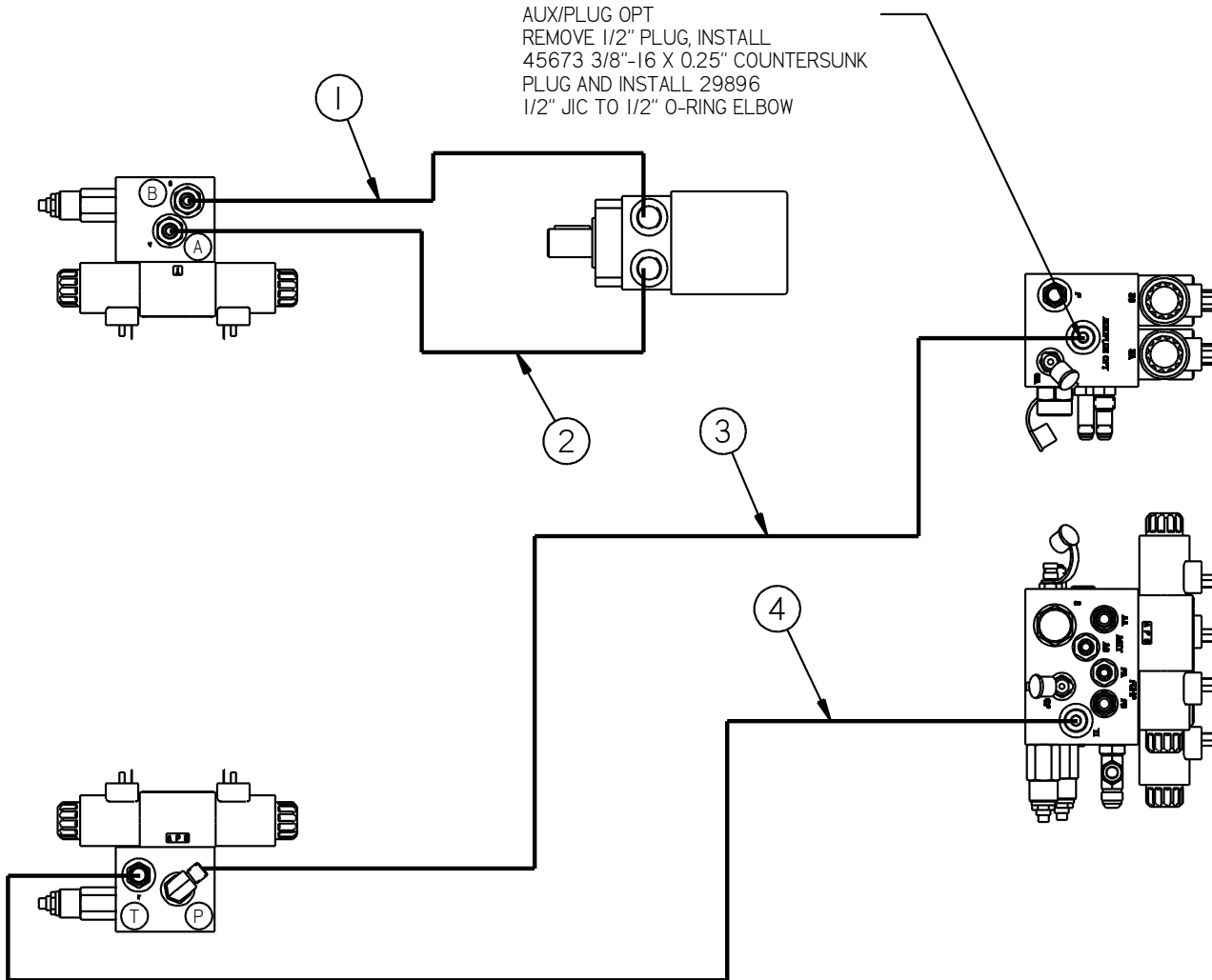
FIG.	ITEM	PART NO.	DESCRIPTION	QTY.
Figure 9.15	1	51473	GUIDE MOUNTING BRACKET	2
	2	51449	2 BOLT FLANGE BEARING	4
	3	51478	13' CONVEYOR HAND RAIL	2
	4	51477	12' CONVEYOR HAND RAIL	2
	5	22027	HYDRAULIC MOTOR	1
	6	51423	13' CONVEYOR BELT	1
	7	51103	ROLLER, CONVEYOR	17
	8	51472	CONVEYOR BLOCK GUIDE – LH	1
	9	51471	CONVEYOR BLOCK GUIDE – RH	1
	10	51455	CONVEYOR CHAIN GUARD, FRONT	1
	NS	51452	CONVEYOR DRIVE CHAIN	1
	NS	50436	MASTER LINK #40 CHAIN	1





**Chapter 9 Illustrated Parts List**

**9.18 26693 Hydraulic Schematic Super Shot Autoloader**



**Figure 18 26693 Hydraulic Schematic Super Shot Autoloader**



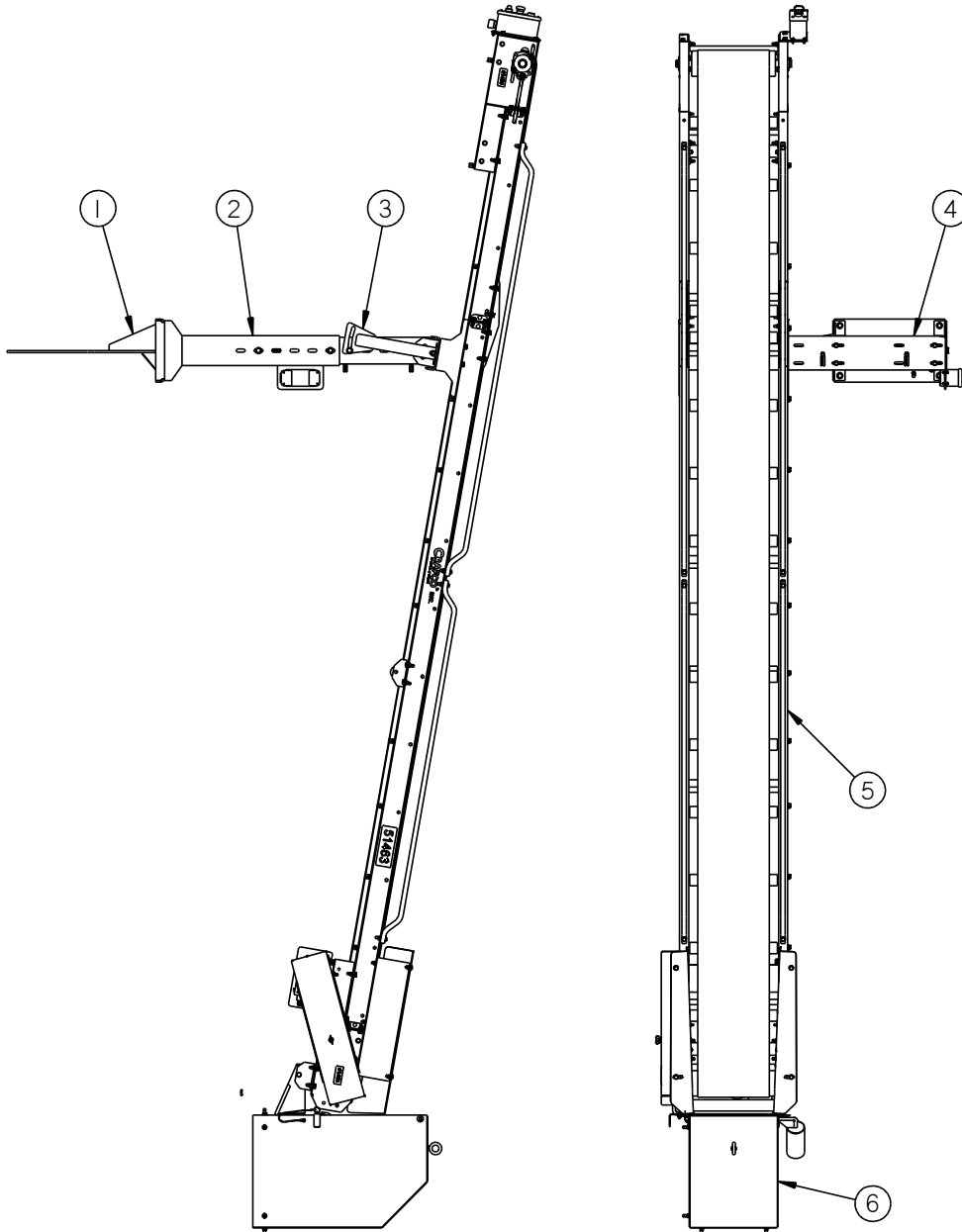
## Chapter 9 Illustrated Parts List

Table 9-13 26693 Hydraulic Schematic Super Shot Autoloader

FIG.	ITEM	PART NO.	DESCRIPTION	QTY
Figure 9.9	<b>1</b>	<b>CONVEYOR VALVE PORT "B" TO CONVEYOR MOTOR TOP PORT</b>		
		29998	FITTING, #8 ORB X #6 JIC STR.	1
		6M3K 6G-6FJX 6G-6FJX90S 21	HYDRAULIC HOSE	1
		22029	FITTING, #10 ORB X #6 JIC STR.	1
	<b>2</b>	<b>CONVEYOR VALVE PORT "A" TO CONVEYOR MOTOR BOTTOM PORT</b>		
		29998	FITTING, #8 ORB X #6 JIC STR.	1
		6M3K 6G-6FJX 6G-6FJX90S 21	HYDRAULIC HOSE	1
		22029	FITTING, #10 ORB X #6 JIC STR.	1
	<b>3</b>	<b>HYDRAULIC VALVE "AUX" PORT TO CONVEYOR PORT "P"</b>		
		45673	3/8"-16 X 0.25" COUNTERSUNK PLUG	1
		29896	FITTING, #8 ORB X #8 JIC ELBOW	1
		6M3K 6G-8FJX 6G-6FJX 71	HYDRAULIC HOSE	1
		29869	FITTING, #8 ORB X #6 JIC ELBOW	1
	<b>4</b>	<b>HYDRAULIC VALVE "Ti" PORT TO CONVEYOR VALVE PORT "T"</b>		
		29897	FITTING, #8 ORB X #8 JIC STR.	1
		8M3K 8G-8FJX 8G-8FJX90S 70	HYDRAULIC HOSE	1
		29897	FITTING, #8 ORB X #8 JIC STR.	1

## Chapter 9 Illustrated Parts List

### 9.19 51399 EZ Series II 1000 Diesel and Diesel Compressor (All Models), EZ Series II 1500 Diesel and Diesel Compressor (All Models), Super Shot 250 Diesel and Diesel Compressor (All Models) Melter Autoloader Kit



**Figure 9.19 51399 EZ Series II 1000 Diesel and Diesel Compressor (All Models), EZ Series II 1500 Diesel and Diesel Compressor (All Models), Super Shot 250 Diesel and Diesel Compressor (All Models) Melter Autoloader Kit**

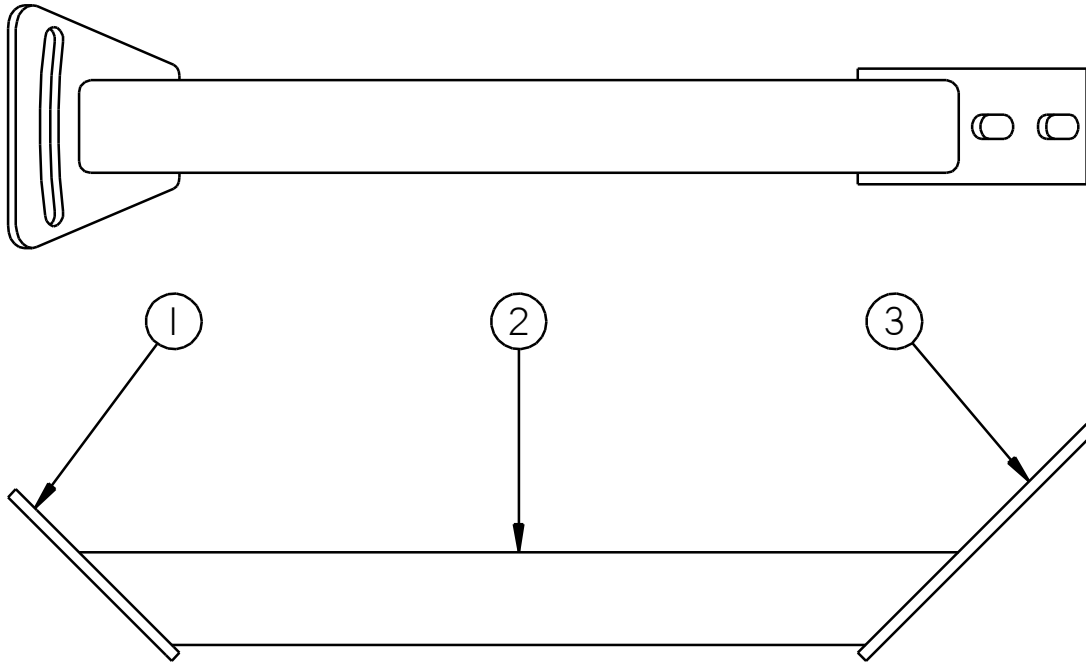
## Chapter 9 Illustrated Parts List

**Table 9-14 51399 EZ Series II 1000 Diesel and Diesel Compressor (All Models), EZ Series II 1500 Diesel and Diesel Compressor (All Models), Super Shot 250 Diesel and Diesel Compressor (All Models) Melter Autoloader Kit**

FIG.	ITEM	PART NO.	DESCRIPTION	QTY.
Figure 9.19	1	51253	FRONT LEG SUPPORT MOUNTING PLATE ASSY	1
	2	51113	HEAVY DUTY STRUCTURE SUPPORT	1
	3	51255	UNDERBODY ANGLED SUPPORT BRACE	1
	4	51392	TOP SUPPORT – CROSS OVER ASSEMBLY	1
	5	51468	13' CONVEYOR ASSEMBLY - LH	1
	6	51375	SPLASH BOX WELD ASSEMBLY - LH	1
	NS	26604	ELECTRICAL SCHEMATIC (ALL MODELS)	1
	NS	26605	HYDRAULIC SCHEMATIC EZ1500	1
	NS	26609	HYDRAULIC SCHEMATIC EZ1000	1
	NS	26630N	HYDRAULIC SCHEMATIC SS250	1

**Chapter 9 Illustrated Parts List**

**9.20 51255 Underbody Angled Support Brace**



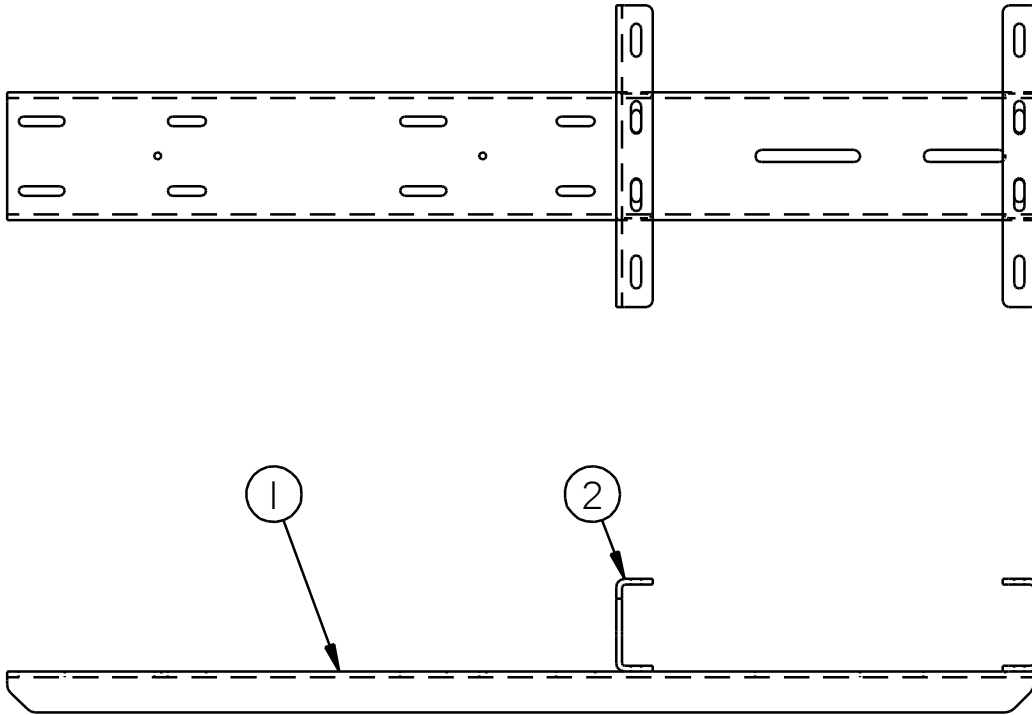
**Figure 9.20 51255 Underbody Angled Support Brace**

**Table 9-15 51255 Underbody Angled Support Brace**

FIG.	ITEM	PART NO.	DESCRIPTION	QTY.
Figure 9.20	1	51254	ADJUSTABLE SWING MOUNTING BRACKET	1
	2	51249	ANGLED SQUARE TUBING BRACE	1
	3	51242	ADJUSTABLE PLATE ANGLE BRACE	1

**Chapter 9 Illustrated Parts List**

**9.21 51392 Top Support-Cross Over Assembly**



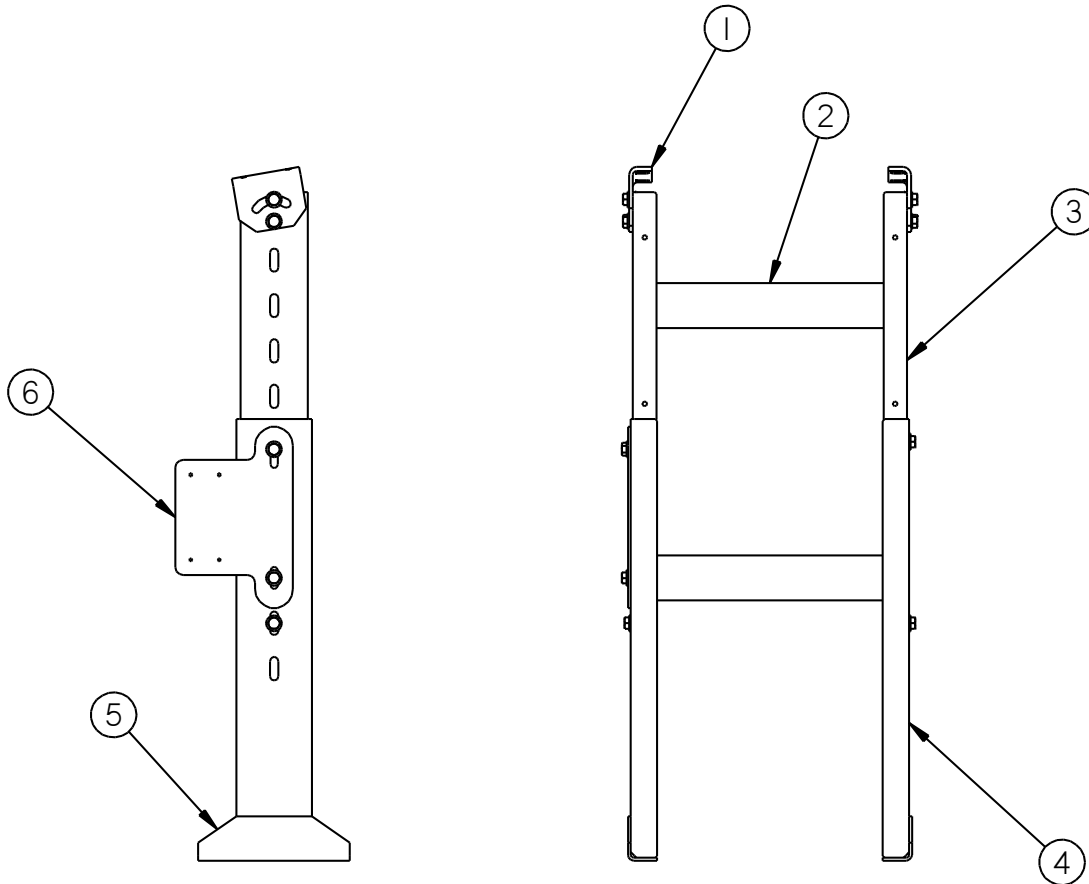
**Figure 9.21 51392 Top Support-Cross Over Assembly**

**Table 9-16 51392 Top Support-Cross Over Assembly**

FIG.	ITEM	PART NO.	DESCRIPTION	QTY.
Figure 9.21	1	51391	FRONT MOUNT LEG SUPPORT	1
	2	51251	SUPPORT TOP BRACE CHANNEL	2

**Chapter 9 Illustrated Parts List**

**9.22 51113 Heavy Duty Structure Support**



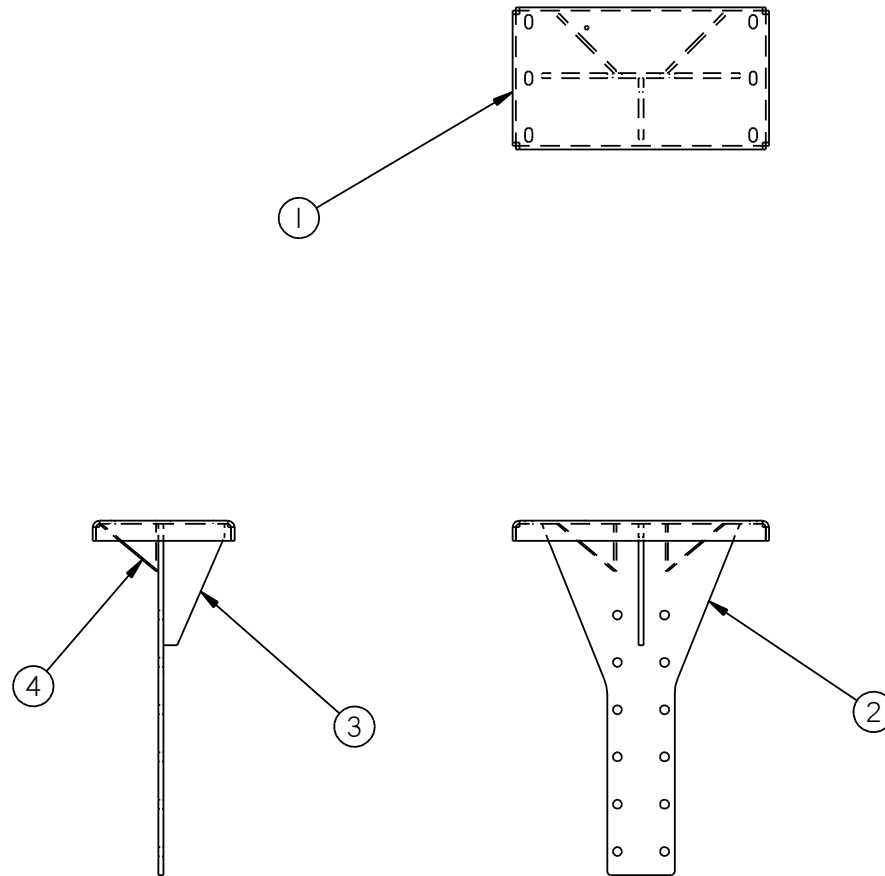
**Figure 9.22 51113 Heavy Duty Structure Support**

**Table 9-17 51113 Heavy Duty Structure Support**

FIG.	ITEM	PART NO.	DESCRIPTION	QTY.
Figure 9.22	1	51435	SWIVEL MOUNTING BRACKET	2
	2	51434	CROSS SUPPORT CHANNEL	2
	3	51436	INNER LEG	2
	4	51432	OUTER LEG	2
	5	51431	MOUNTING FOOT	2
	6	51269	MOUNTING PLATE, OPERATORS BOX	1

**Chapter 9 Illustrated Parts List**

**9.23 51253 Front Leg Support Mounting Plate Assembly**



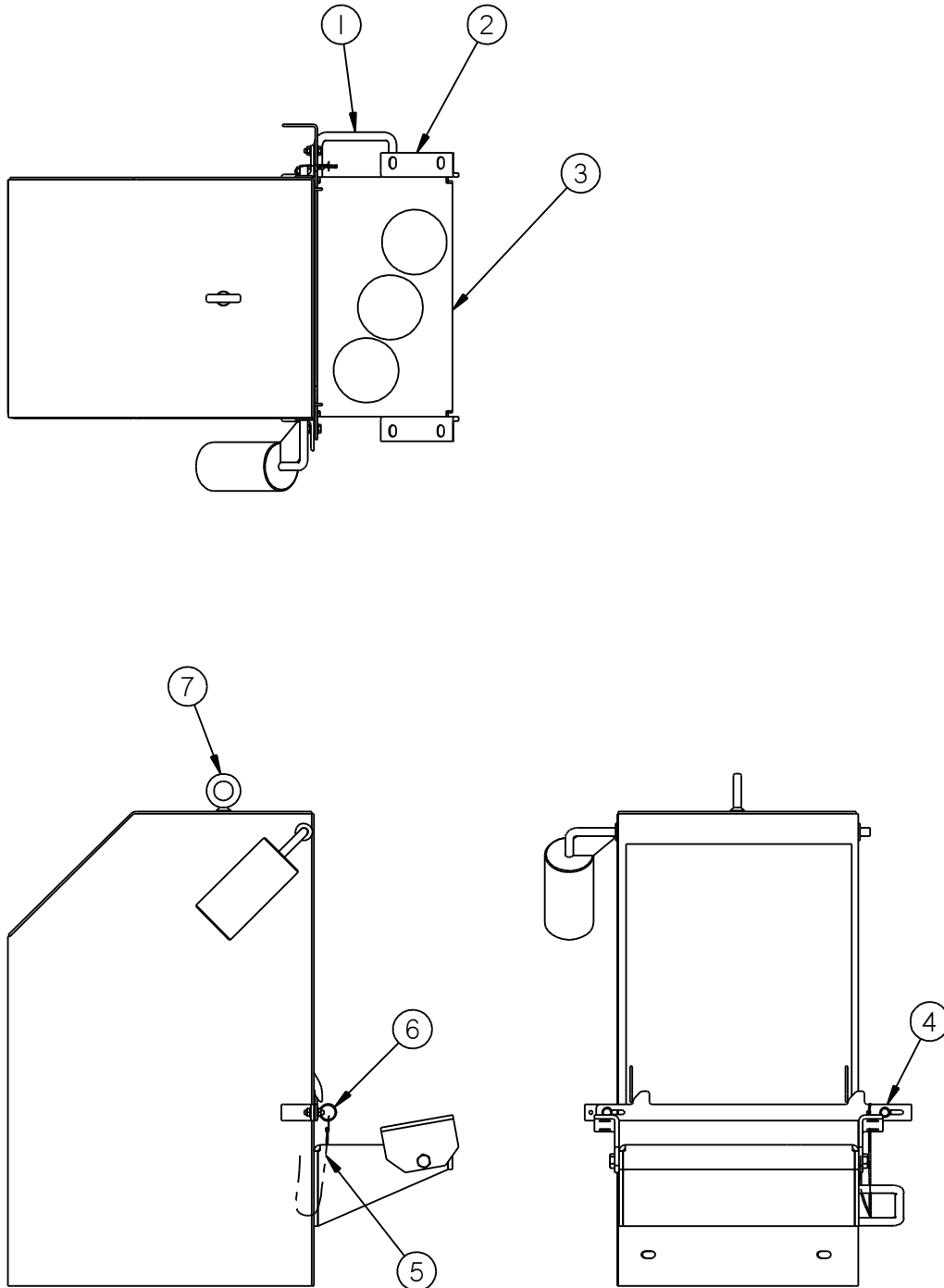
**Figure 9.23 51253 Front Leg Support Mounting Plate Assembly**

**Table 9-18 51253 Front Leg Support Mounting Plate Assembly**

FIG.	ITEM	PART NO.	DESCRIPTION	QTY.
Figure 9.23	1	51252	TOP SUPPORT MOUNTING PLATE	1
	2	51239	FRONT LEG SUPPORT HITCH PLATE	1
	3	51810	SUPPORT GUSSET STAND	1
	4	51248	GUSSET BRACE	2

**Chapter 9 Illustrated Parts List**

**9.24 51375 Splash Box Welded Assembly LH**



**Figure 9.24 51375 Splash Box Welded Assembly LH**



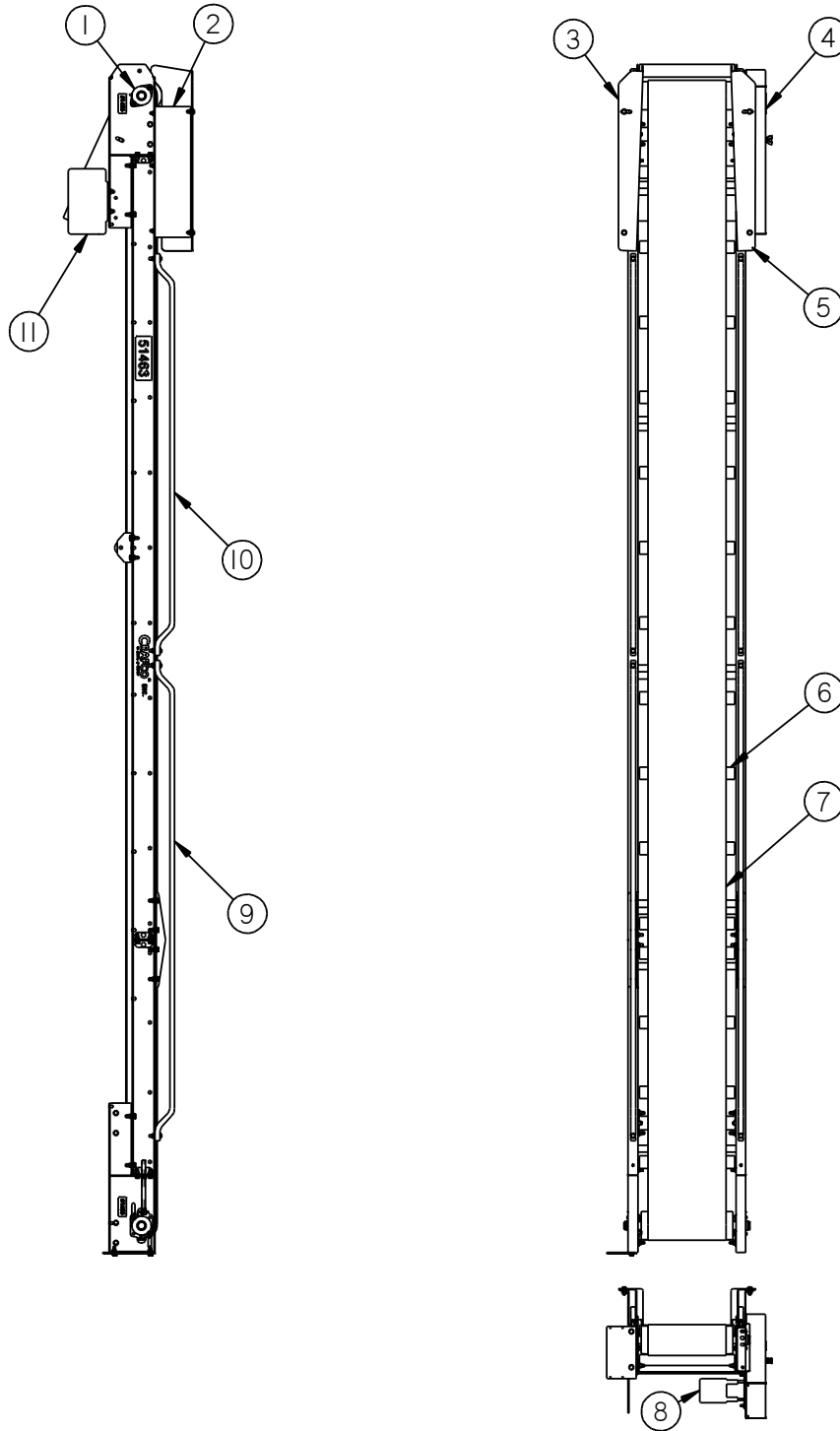
## Chapter 9 Illustrated Parts List

**Table 9-19 51375 Splash Box Welded Assembly LH**

FIG.	ITEM	PART NO.	DESCRIPTION	QTY.
Figure 9.24	1	21292	HANDLE	1
	2	51265	CONVYR MNTG BASE BRCKT	2
	3	51288	CONVEYOR BASE ANTI SPLASH BOX	1
	4	51939N	SLIDE LOCK - SPLASH BOX DS	1
	5	44157	PIN ATTACHMENT CABLE	1
	6	26103	1/4 X .5 GRIP QUICK REL. PIN	1
	7	26113	BOLT, THREADED EYE	1

**Chapter 9 Illustrated Parts List**

**9.25 51468 13' Conveyor Assembly**



**Figure 9.25 51468 13' Conveyor Assembly**

## Chapter 9 Illustrated Parts List

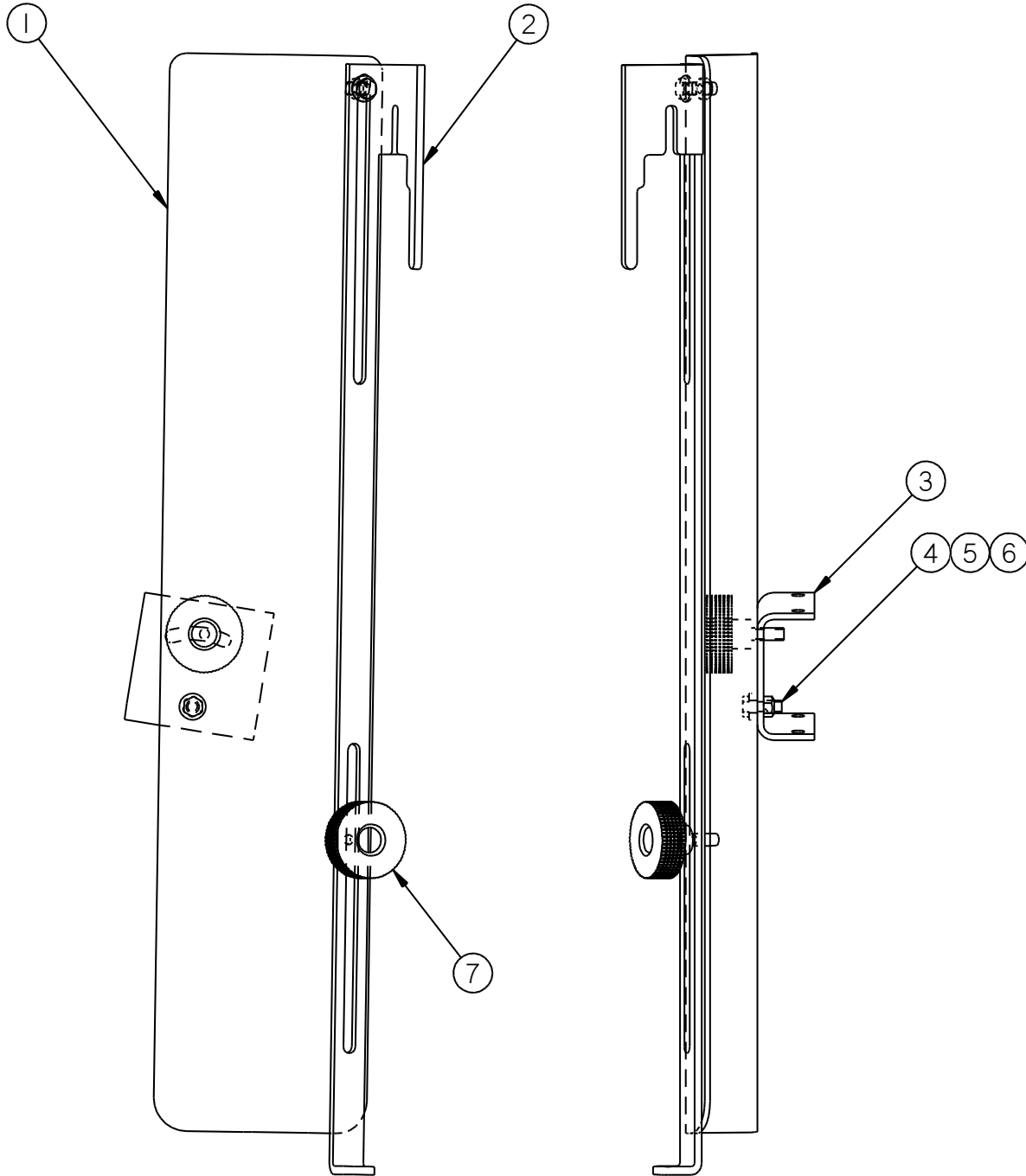
Table 9-20 51468 13' Conveyor Assembly

FIG.	ITEM	PART NO.	DESCRIPTION	QTY.
Figure 9.25	1	51449	2 BOLT FLANGE BEARING	4
	2	51473	GUIDE MOUNTING BRACKET	2
	3	51471	CONVEYOR BLOCK GUIDE – RH	1
	4	51455	CONVEYOR CHAIN GUARD, FRONT	1
	5	51472	CONVEYOR BLOCK GUIDE – LH	1
	6	51103	ROLLER, CONVEYOR	17
	7	51423	13' CONVEYOR BELT	1
	8	22027	HYDRAULIC MOTOR	1
	9	51478	13' CONVEYOR HAND RAIL	2
	10	51477	12' CONVEYOR HAND RAIL	2
	11	51378	GUARD, HYD VALVE	1
	NS	51452	CONVEYOR DRIVE CHAIN	1
	NS	50436	MASTER LINK #40 CHAIN	1

**Chapter 9 Illustrated Parts List**

**9.26 46614 Boom Lock Assembly Conveyor**

**NOTE:** Only used on the EZ Series II 1500 Double Pumper units and does not come with the 51399 Kit



**Figure 9.26 46614 Boom Lock Assembly Conveyor**

## Chapter 9 Illustrated Parts List

**Table 9-21 46614 Boom Lock Assembly Conveyor**

FIG.	ITEM	PART NO.	DESCRIPTION	QTY.
Figure 9.26	1	46744	UPRIGHT, BOOM LOCK	1
	2	46612	LOCKING LATCH	1
	3	46743	MOUNT, BOOM LOCK CONVEYOR	1
	4	28672	WASHER, 3/8 FLAT	2
	5	28731	BOLT, 3/8-16 X 1" HEX HEAD	2
	6	28538	NUT, 3/8-16 UPSET HEX	2
	7	46306	KNOB, 3/8-16 THREADED	2

## Chapter 9 Illustrated Parts List

### 9.27 26604 Electrical Schematic EZ Series II 1000 Diesel and Diesel Compressor (All Models), EZ Series II 1500 Diesel and Diesel Compressor (All Models), Super Shot 250 Diesel and Diesel Compressor (All Models) Melter Autoloader Page 1

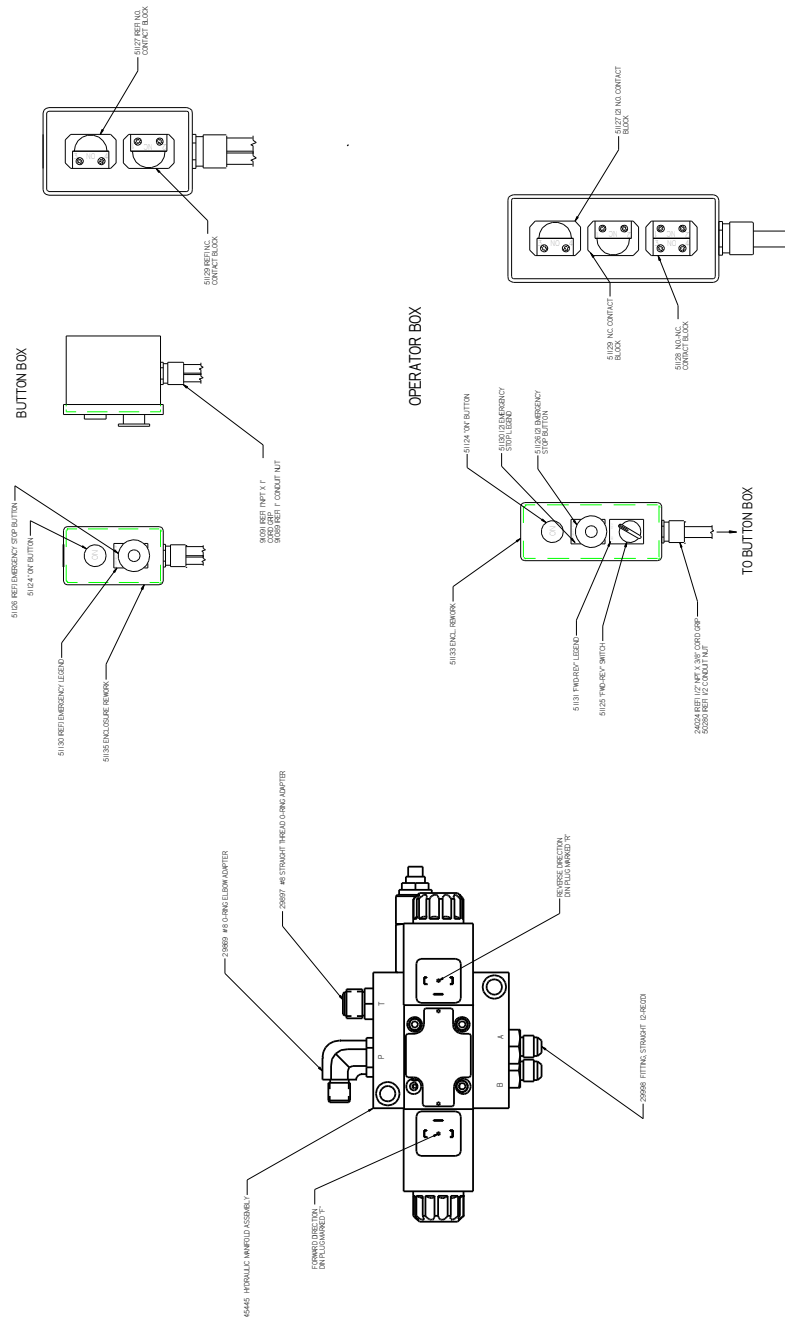


Figure 9.27 26604 Electrical Schematic EZ Series II Autoloader Page 1

## Chapter 9 Illustrated Parts List

### 9.28 26604 Electrical Schematic EZ Series II Autoloader Page 2

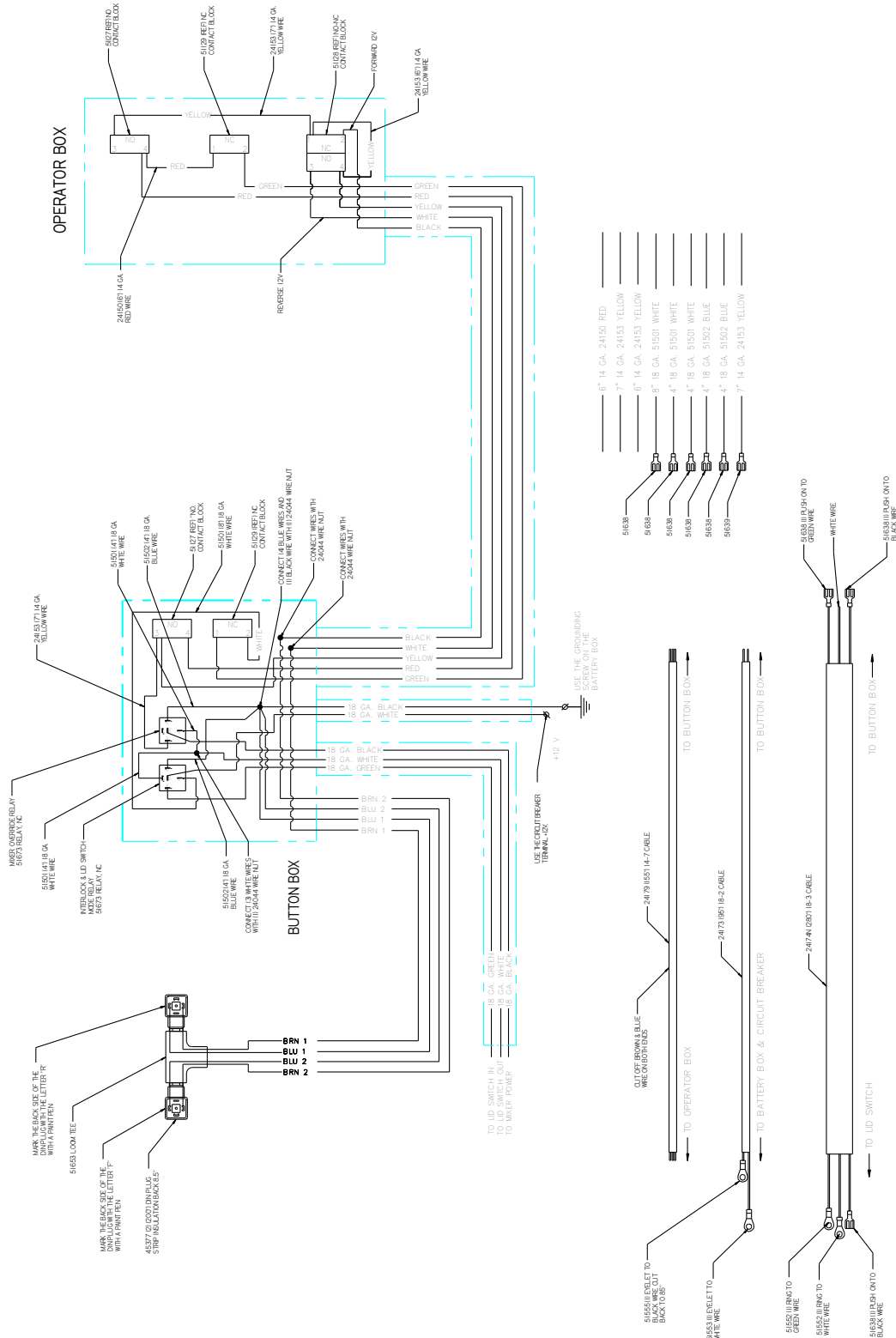
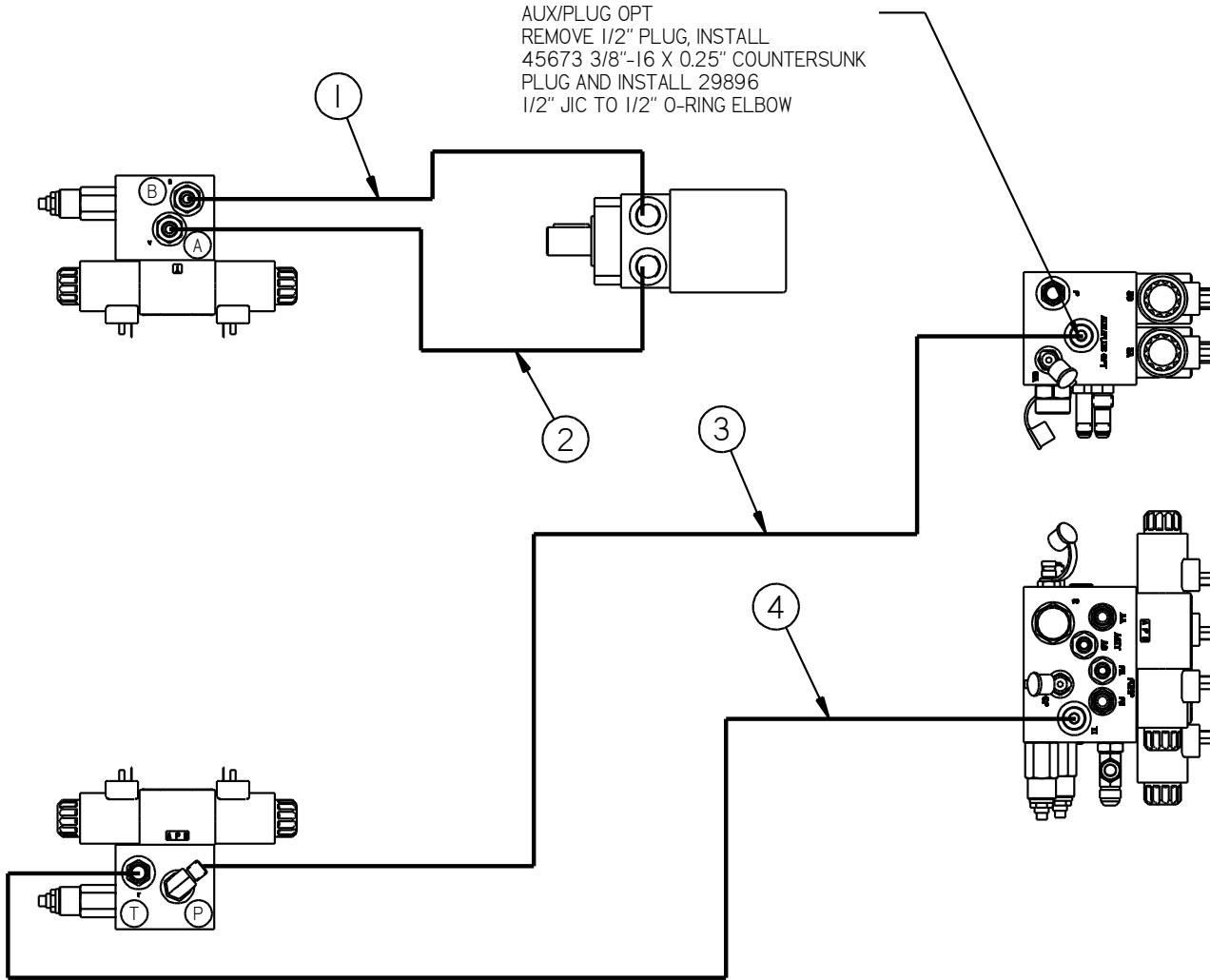


Figure 9.28 26604 Electrical Schematic EZ Series II Autoloader Page 2

**Chapter 9 Illustrated Parts List**

**9.29 26605 Hydraulic Schematic EZ Series II 1500 Autoloader**



**Figure 9.29 26605 Hydraulic Schematic EZ Series II 1500 Autoloader**



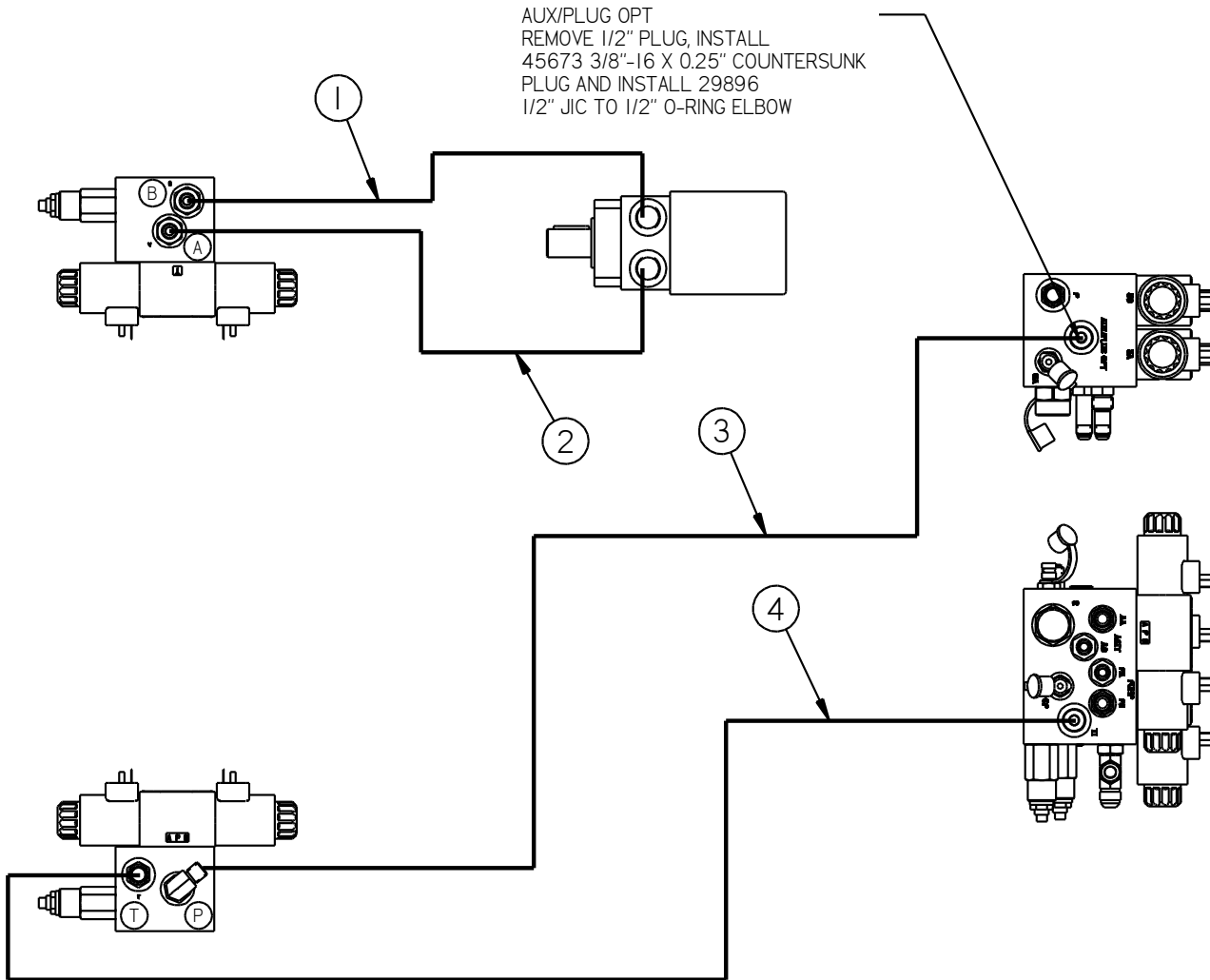
## Chapter 9 Illustrated Parts List

Table 9-22 Hydraulic Schematic EZ Series II 1500 Autoloader

FIG.	ITEM	PART NO.	DESCRIPTION	QTY
Figure 9.29	<b>1</b>	<b>CONVEYOR VALVE PORT "B" TO CONVEYOR MOTOR TOP PORT</b>		
		29998	FITTING, #8 ORB X #6 JIC STR.	1
		6M3K 6G-6FJX 6G-6FJX90S 20	HYDRAULIC HOSE	1
		22029	FITTING, #10 ORB X #6 JIC STR.	1
	<b>2</b>	<b>CONVEYOR VALVE PORT "A" TO CONVEYOR MOTOR BOTTOM PORT</b>		
		29998	FITTING, #8 ORB X #6 JIC STR.	1
		6M3K 6G-6FJX 6G-6FJX90S 20	HYDRAULIC HOSE	1
		22029	FITTING, #10 ORB X #6 JIC STR.	1
	<b>3</b>	<b>HYDRAULIC VALVE "AUX" PORT TO CONVEYOR PORT "P"</b>		
		45673	3/8"-16 X 0.25" COUNTERSUNK PLUG	1
		29896	FITTING, #8 ORB X #8 JIC ELBOW	1
		6M3K 6G-8FJX 6G-6FJX 133	HYDRAULIC HOSE	1
		29869	FITTING, #8 ORB X #6 JIC ELBOW	1
	<b>4</b>	<b>HYDRAULIC VALVE "Ti" PORT TO CONVEYOR VALVE PORT "T"</b>		
		29897	FITTING, #8 ORB X #8 JIC STR.	1
		8M3K 8G-8FJX 8G-8FJX90S 143	HYDRAULIC HOSE	1
		29896	FITTING, #8 ORB X #8 JIC ELBOW.	1

**Chapter 9 Illustrated Parts List**

**9.30 26609 Hydraulic Schematic EZ Series II 1000 All Melters Autoloader**



**Figure 9.30 26609 Hydraulic Schematic EZ Series II 1000 All Melters Autoloader**

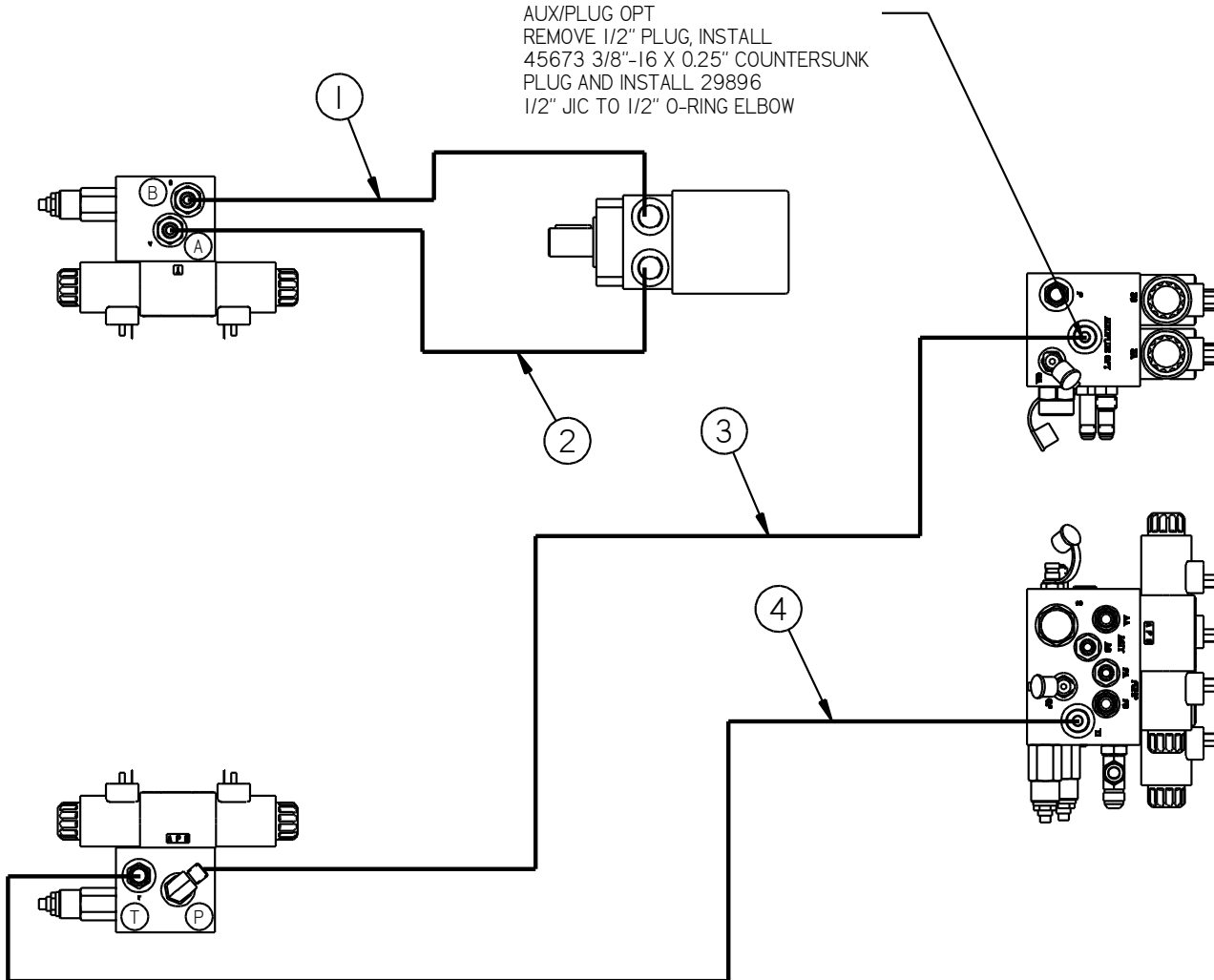
## Chapter 9 Illustrated Parts List

Table 9-23 26609 Hydraulic Schematic EZ Series II 1000 All Melters Autoloader

FIG.	ITEM	PART NO.	DESCRIPTION	QTY
Figure 9.29	<b>1</b>	<b>CONVEYOR VALVE PORT "B" TO CONVEYOR MOTOR TOP PORT</b>		
		29998	FITTING, #8 ORB X #6 JIC STR.	1
		6M3K 6G-6FJX 6G-6FJX90S 20	HYDRAULIC HOSE	1
		22029	FITTING, #10 ORB X #6 JIC STR.	1
	<b>2</b>	<b>CONVEYOR VALVE PORT "A" TO CONVEYOR MOTOR BOTTOM PORT</b>		
		29998	FITTING, #8 ORB X #6 JIC STR.	1
		6M3K 6G-6FJX 6G-6FJX90S 20	HYDRAULIC HOSE	1
		22029	FITTING, #10 ORB X #6 JIC STR.	1
	<b>3</b>	<b>HYDRAULIC VALVE "AUX" PORT TO CONVEYOR PORT "P"</b>		
		45673	3/8"-16 X 0.25" COUNTERSUNK PLUG	1
		29896	FITTING, #8 ORB X #8 JIC ELBOW	1
		6M3K 6G-8FJX 6G-6FJX 138	HYDRAULIC HOSE	1
		29869	FITTING, #8 ORB X #6 JIC ELBOW	1
	<b>4</b>	<b>HYDRAULIC VALVE "Ti" PORT TO CONVEYOR VALVE PORT "T"</b>		
		29897	FITTING, #8 ORB X #8 JIC STR.	1
		8M3K 8G-8FJX 8G-8FJX90S 131	HYDRAULIC HOSE	1
	29896	FITTING, #8 ORB X #8 JIC ELBOW	1	

**Chapter 9 Illustrated Parts List**

**9.31 26630N Hydraulic Schematic SS250 All Melters Autoloader**



**Figure 9.31 26630N Hydraulic Schematic SS250 All Melters Autoloader**

## Chapter 9 Illustrated Parts List

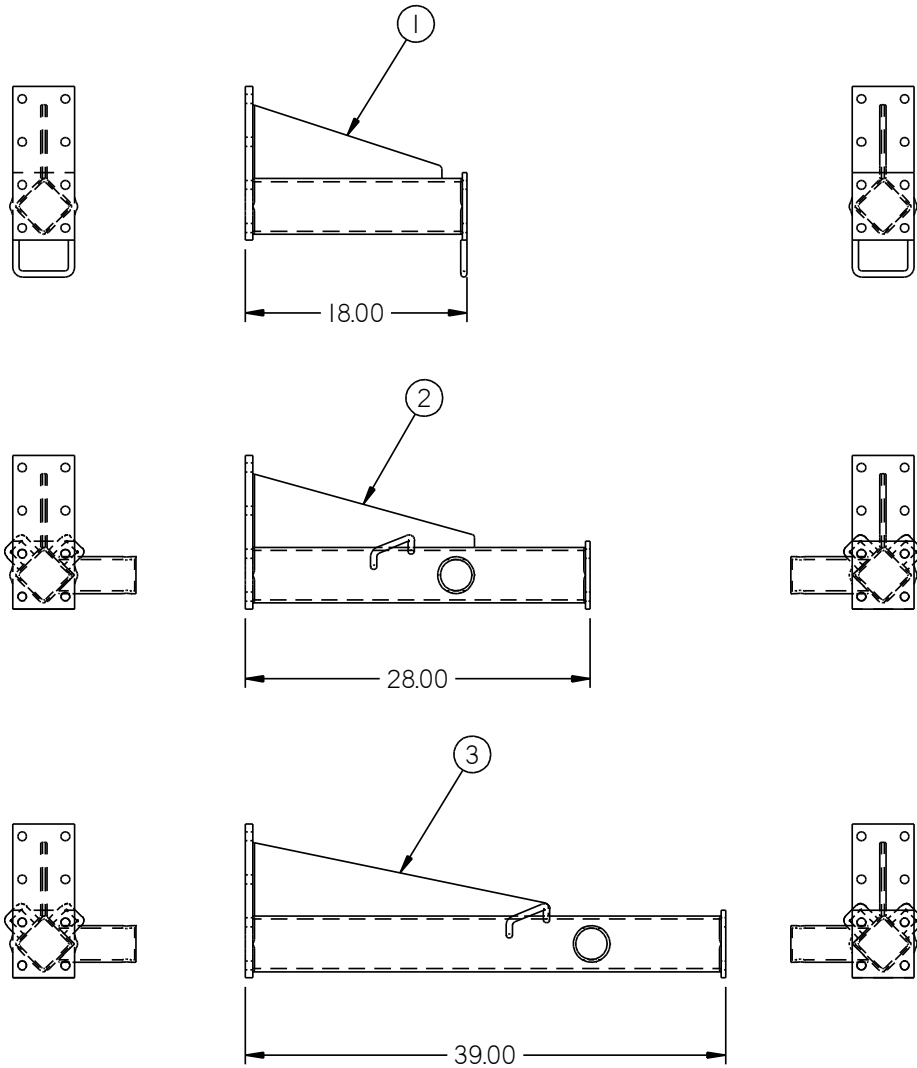
Table 9-24 26630N Hydraulic Schematic SS250 All Melters Autoloader

FIG.	ITEM	PART NO.	DESCRIPTION	QTY
Figure 9.29	<b>1</b>	<b>CONVEYOR VALVE PORT "B" TO CONVEYOR MOTOR TOP PORT</b>		
		29998	FITTING, #8 ORB X #6 JIC STR.	1
		6M3K 6G-6FJX 6G-6FJX90S 21	HYDRAULIC HOSE	1
		22029	FITTING, #10 ORB X #6 JIC STR.	1
	<b>2</b>	<b>CONVEYOR VALVE PORT "A" TO CONVEYOR MOTOR BOTTOM PORT</b>		
		29998	FITTING, #8 ORB X #6 JIC STR.	1
		6M3K 6G-6FJX 6G-6FJX90S 21	HYDRAULIC HOSE	1
		22029	FITTING, #10 ORB X #6 JIC STR.	1
	<b>3</b>	<b>HYDRAULIC VALVE "AUX" PORT TO CONVEYOR PORT "P"</b>		
		45673	3/8"-16 X 0.25" COUNTERSUNK PLUG	1
		29896	FITTING, #8 ORB X #8 JIC ELBOW	1
		6M3K 6G-8FJX 6G-6FJX 80.75	HYDRAULIC HOSE	1
		29869	FITTING, #8 ORB X #6 JIC ELBOW	1
	<b>4</b>	<b>HYDRAULIC VALVE "Ti" PORT TO CONVEYOR VALVE PORT "T"</b>		
		29897	FITTING, #8 ORB X #8 JIC STR.	1
		8M3K 8G-8FJX 8G-8FJX90S 78.5	HYDRAULIC HOSE	1
		29897	FITTING, #8 ORB X #8 JIC STR.	1

**Chapter 9 Illustrated Parts List**

**9.32 Hitch Extension Options**

**Note:** Hitch extensions do not come with the autoloader kits, they must be order separately.



**Figure 9.32 Hitch Extension Options**

**Table 9-25 Hitch Extension Options**

FIG.	ITEM	PART NO.	DESCRIPTION	QTY.
Figure 9.32	1	20120	18" HITCH EXTENSION	1
	2	20140	28" HITCH EXTENSION	1
	3	20150	39" HITCH EXTENSION	1





©2024 Crafco, Inc.